

Panasonic

LUMIX S1R II

Operating Instructions
<Quick Start Guide>
Digital Camera
DC-S1RM2

Please read these instructions carefully before using this product, and save this manual for future use.

Operating Instructions <Complete Guide>



Refer to "Operating Instructions <Complete Guide>" (HTML format/PDF format) for details about how to use the camera and notes on use.

<https://panasonic.jp/support/dsc/oi/S1RM2/index.html>

Manufactured by:
Panasonic Entertainment & Communication Co., Ltd.
1-10-12, Yagumo-higashi-machi, Moriguchi City, Osaka, Japan
Importer for UK:
Panasonic UK, a branch of Panasonic Marketing Europe GmbH
Maxis 2, Western Road, Bracknell, Berkshire, RG12 1RT
Importer for EU:
Panasonic Marketing Europe GmbH
Hagenauer Strasse 43, 65203 Wiesbaden, Germany
Authorized Representative in EU:
Panasonic Marketing Europe GmbH
Panasonic Testing Centre
Winsbergiring 15, 22525 Hamburg, Germany



EU



Panasonic Entertainment & Communication Co., Ltd.

Web Site: <http://www.panasonic.com>

© Panasonic Entertainment & Communication Co., Ltd. 2025

DVQX2661ZA

F1224HN0

E

Dear Customer,

We would like to take this opportunity to thank you for purchasing this Panasonic Digital Camera. Please read this document carefully and keep it handy for future reference. Please note that the actual controls and components, menu items, etc. of your Digital Camera may look somewhat different from those shown in the illustrations in this document.

Information for Your Safety

WARNING:

To reduce the risk of fire, electric shock or product damage,

- Do not expose this unit to rain, moisture, dripping or splashing.
- Use the recommended accessories.
- Do not remove covers.
- Do not repair this unit by yourself. Refer servicing to qualified service personnel.

Product identification marking

| Product | Location |
|-----------------|----------|
| Digital camera | Bottom |
| Battery charger | Bottom |

Declaration of Conformity (DoC) for EU:

Hereby, "Panasonic Entertainment & Communication Co., Ltd." declares that this product is in compliance with the essential requirements and other relevant provisions of Directive 2014/53/ EU.

Customers can download a copy of the original DoC for our RE products from our DoC server: <https://www.ptc.panasonic.eu/compliance-documents>
Importer for EU: Panasonic Marketing Europe GmbH
Hagenauer Strasse 43, 65203 Wiesbaden, Germany
Authorized Representative in EU: Panasonic Marketing Europe GmbH
Panasonic Testing Centre, Winsbergiring 15, 22525 Hamburg, Germany

5.15 - 5.35 GHz band is restricted to indoor operations only in the following countries.

| | | | | | | | | | | | | | | | | | |
|----|----|----|----|----|----|----|----|----|----|----|----|----|----|----|------|----|----|
| AT | BE | BG | CZ | DK | EE | FR | DE | IS | IE | IT | EL | ES | CY | LV | LI | LT | LU |
| HU | MT | NL | NO | PL | PT | RO | SI | SK | TR | FI | SE | CH | HR | UK | (NI) | RS | |

Declaration of Conformity (DoC) for UK:

Hereby, "Panasonic Entertainment & Communication Co., Ltd." declares that this product is in compliance with the essential requirements and other relevant provisions of the Radio Equipment Regulations 2017.

Customers can download a copy of the original DoC for our RE products from our DoC server: <https://www.ptc.panasonic.eu/compliance-documents>
Importer for UK: Panasonic UK, a branch of Panasonic Marketing Europe GmbH
Maxis 2, Western Road, Bracknell, Berkshire, RG12 1RT

5.15 - 5.35 GHz band is restricted to indoor operations only in the UK.

Maximum power and operating frequency bands of transmitter

| Type of wireless | Frequency band (central frequency) | Maximum power (dBm e.i.r.p.) |
|------------------|------------------------------------|------------------------------|
| WLAN | 2412-2472 MHz | 13 dBm |
| | 5180-5320 MHz | 13 dBm |
| | 5500-5700 MHz | 13 dBm |
| Bluetooth | 5745-5825 MHz | 13 dBm |
| | 2402-2480 MHz | 10 dBm |

About the battery pack

CAUTION

- Danger of explosion if battery is incorrectly replaced. Replace only with the type recommended by the manufacturer.
- When disposing of the batteries, please contact your local authorities or dealer and ask for the correct method of disposal.

- Do not heat or expose to flame.
- Do not leave the battery(ies) in a car exposed to direct sunlight for a long period of time with doors and windows closed.
- Do not expose to low air pressure at high altitudes.
- Do not expose to extremely low air pressure, as this may result in explosions or leakage of flammable liquids and gases.

Warning

Risk of fire, explosion and burns. Do not disassemble, heat above 60 °C or incinerate.

- Always use a genuine Panasonic Shutter Remote Control (DMW-RS2: optional).
- Always use a genuine Panasonic Tripod Grip (DMW-SHGR2/DMW-SHGR1: optional).
- Use an Ultra High Speed HDMI cable (Type A – Type A plug) with the length less than 3 m (9.8 feet).
- Use a headphone cable with the length less than 3 m (9.8 feet).
- Use a stereo microphone cable with the length less than 3 m (9.8 feet).

- Keep the hot shoe cover out of reach of children to prevent swallowing.
- Keep the cover for the battery grip connector out of reach of children to prevent swallowing.
- Keep the memory card out of reach of children to prevent swallowing.
- Excessive sound pressure from earphones and headphones can cause hearing loss.

Standard Accessories

Product numbers correct as of February 2025.

Digital camera body

| | |
|-------------------------------------|---|
| Battery pack DMW-BLK22 | Body cap ^{*1} 1HE1MC891Z |
| Battery charger DVLC1005Z | Hot shoe cover ^{*1} 4HR1MC5229Z |
| Shoulder strap DVPW1040Z | Cover for the battery grip connector ^{*1} SKF0145K |

Interchangeable lens "LUMIX S 24-105mm F4 MACRO O.I.S."^{*2}
S-R24105

| | |
|--|---|
| Lens hood 1ZE4SR24105Z | Lens rear cap ^{*3} RGE1Z276Z |
| Lens cap ^{*3} 1GE1Z276Z | |

*1 This is attached to the camera at the time of purchase.

*2 This is supplied with Lens Kit DC-S1RM2M.

*3 This is attached to the lens at the time of purchase.

- Consult the dealer or Panasonic if you lose the supplied accessories. (You can purchase the accessories separately.)

For the United Kingdom and Ireland customers

Sales and Support Information

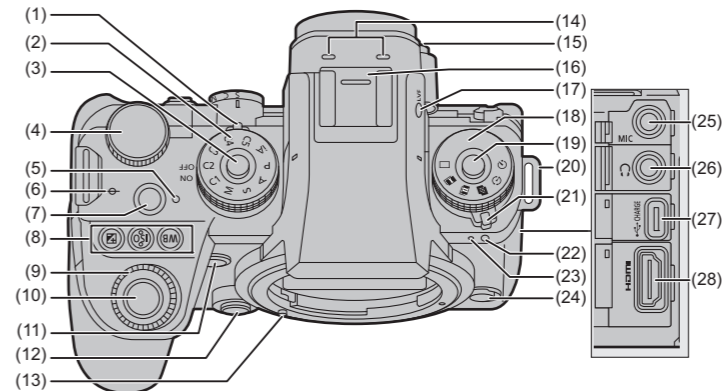
Customer Communications Centre

- For customers within the UK: 0344 844 3899
- For customers within Ireland: 01 289 8333
- Monday – Friday 9:00 am – 5:00 pm (Excluding public holidays).
- For further support on your product, please visit our website: www.panasonic.co.uk

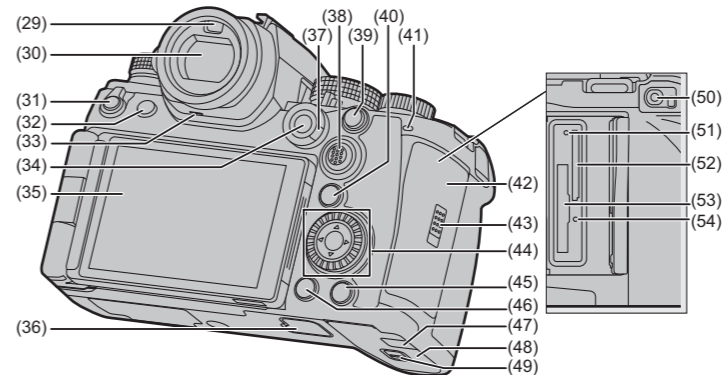
Direct Sales at Panasonic UK

- Order accessory and consumable items for your product with ease and confidence by phoning our Customer Communications Centre Monday – Friday 9:00 am – 5:00 pm (Excluding public holidays).
- Or go on line through our Internet Accessory ordering application at www.pas-europe.com.
- Most major credit and debit cards accepted.
- All enquiries transactions and distribution facilities are provided directly by Panasonic UK.
- It couldn't be simpler!
- Also available through our Internet is direct shopping for a wide range of finished products. Take a browse on our website for further details.

Names of Important Parts



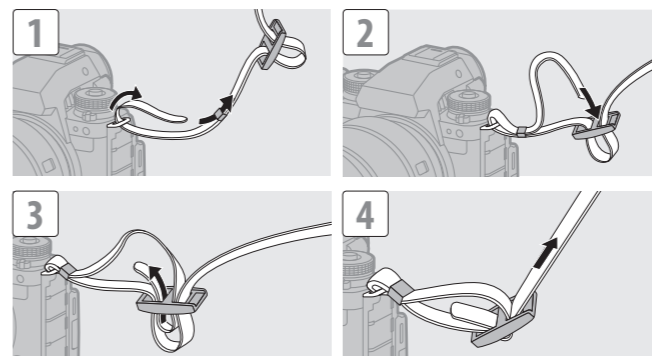
- Camera on/off switch
- Mode dial
- Mode dial lock button
- Rear dial
- Charging light/Network connection light
- [] (Recording distance reference mark)
- Video rec. button
- [WB] (White balance) button
- [ISO] (ISO sensitivity) button
- [] (Exposure compensation) button
- Front dial
- Shutter button
- AF-Point Scope button/Enlarged live display (video) button
- Lens release button
- Lens lock pin (Lens fitting mark)
- Stereo microphone
- Diopter adjustment dial
- Hot shoe (hot shoe cover)
- [LVF] button
- Drive mode dial
- Drive mode dial lock button
- Shoulder strap eyelet
- Photo/video/S&Q switch
- Self-timer light/AF assist light
- Front tally lamp
- Sub video rec. button
- [MIC] socket
- Headphone socket
- USB port
- HDMI socket



- Eye sensor
- Viewfinder
- Operation lock lever
- [] (Playback) button
- Speaker
- [] (AF mode) button
- Monitor/Touch screen
- Battery grip connector (cover for the battery grip connector)
- Focus mode lever
- Joystick
- [AF ON] button
- [Q] (Quick menu) button
- Rear tally lamp/Rear card access light
- Card door
- Card door lock lever
- Control dial ()
- Cursor buttons ()
- [MENU/SET] button ()
- [DISP.] button
- [] (Cancel) button/[] (Delete) button
- DC coupler cover
- Battery door
- Battery door release lever
- [REMOTE] socket
- Card access light 2
- Card slot 1
- Card access light 1

Attaching a Shoulder Strap

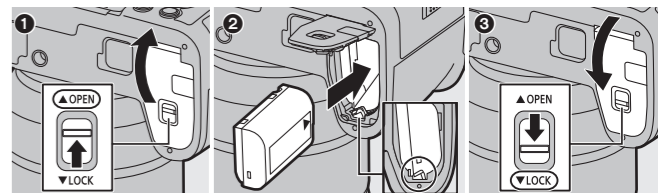
Attach a shoulder strap to the camera with the following procedure to prevent it from dropping.



Charging the Battery

Charge using an AC adaptor (optional/commercially available) and a USB connection cable (commercially available).

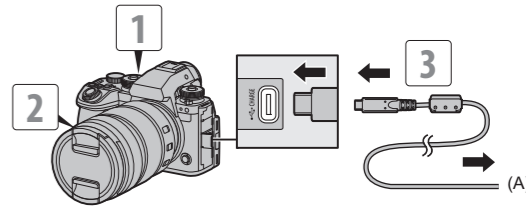
- Set the camera on/off switch to [OFF].
- Insert the battery into the camera.



- Connect the camera USB port and the AC adaptor using the USB connection cable.

- Connect the AC adaptor to an electrical outlet.

- The charging light turns red and charging begins. The charging light turns off when charging is complete.



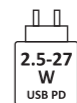
(A) To the AC adaptor

| Charging time | Approx. 170 min |
|---------------|-----------------|
|---------------|-----------------|

- Using either the camera body and the optional AC Adaptor (DMW-AC11) or the camera body and the supplied accessories of the optional Battery Charger (DMW-BTC15).
- The supplied charger can also be used to charge instead of the camera body.

Cautions

- The battery that can be used with the camera is DMW-BLK22. (As of February 2025)
- Always use genuine Panasonic batteries (DMW-BLK22).**
- If you use other batteries, we cannot guarantee the quality of this product.**
- It is recommended to use the Panasonic AC Adaptor (DMW-AC11: optional) or the supplied accessories of the Panasonic Battery Charger (DMW-BTC15: optional) for charging.**
- You can charge with the camera body or the supplied charger using a commercially available AC adaptor and a USB connection cable.
 - *Recommended specifications for the commercially available AC adaptor
 - Supports PD (Power Delivery)
 - Supports 9 V/3 A (27 W) DC output
 - USB Type-C terminal
 - *Use a USB connection cable with 27 W output or better for charging.
- You can also use an AC adaptor with 5 V/500 mA or better for charging. However, charging time may be longer than with the recommended AC adaptor.
- Operation is not guaranteed with all commercially available devices.
- Using charging methods other than those specified may result in fluid leakage, overheating, combustion, rupturing, etc., and these may cause injury.
- This battery may present a risk of fire or chemical burn if mistreated.
- Place the removed battery in a plastic bag, and store or keep away from metallic objects (clips, etc.).
- When disposing of the batteries, please contact your local authorities or dealer and ask for the correct method of disposal.



USB PD fast charging

The power delivered by the charger must be between min. 2.5 Watts required by this product, and max. 27 Watts in order to achieve the maximum charging speed.

