

Quick Start Guide

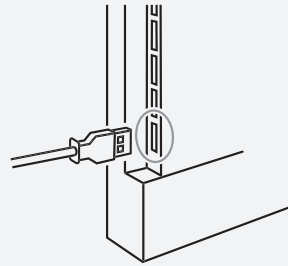
Signia TV Sound



High quality stereo audio
streamed directly to your
Bluetooth-enabled Signia
hearing aids

Powering TV Sound

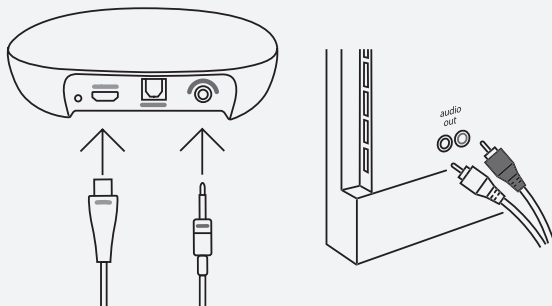
1. Take the Micro USB cable that you receive with your TV Sound
2. Connect the Micro USB to the TV Sound device
3. Connect the Micro USB to your TV via the USB Socket on your TV
4. The TV should be turned on



Connecting the audio input

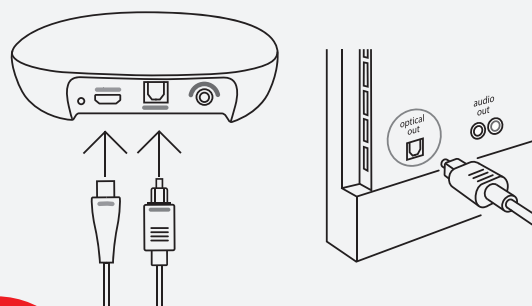
Via analog cable

1. Connect the TV Sound to the power supply
2. Connect the analog cable to the back of the TV Sound (purple inlet)
3. Connect the other end of the analog cable into the corresponding sockets on the TV
4. Turn on the TV to start the audio



Via optical cable

1. Connect the TV Sound to the power supply
2. Connect the optical cable to the back of the TV Sound (blue inlet)
3. Connect the other end of the optical cable to the "Optical OUT" socket on the TV
4. Turn on the TV to start the audio



signia

Quick Start Guide

Signia TV Sound

Pairing your hearing aids to TV Sound

1. Power on the TV Sound
2. Restart the hearing aids
3. Place the hearing aids in pairing range (0 to 20 cm)

- LED pulses blue while pairing
- LED glows solid blue after successful pairing

Simply follow the same procedure to pair with another set of hearing aids, as needed

TIP: If the hearing aids are paired with another device that is close by, turn off the Bluetooth on the device before pairing



Start streaming with the Signia app

Step 1:

- Open the Signia App
- Tap Stream in the lower menu bar

Step 2:

- Tap Play to start streaming TV audio

Step 3:

- Adjust volume if desired
- Tap Pause to stop streaming

