



# Operator's Instruction Manual

## Model TR-18



### 18" Trencher

**READ AND UNDERSTAND THE OPERATOR'S SAFETY MANUAL THOROUGHLY  
BEFORE ATTEMPTING TO OPERATE THIS EQUIPMENT.**

Death or serious injury could occur if this machine is used improperly.

READ AND UNDERSTAND THE ENGINE MANUFACTURERS INSTRUCTIONS AND OPERATORS MANUAL BEFORE OPERATION.



**EQUIPMENT DEVELOPMENT COMPANY, INC.**  
100 Thomas Johnson Drive, Frederick, MD 21702-4600 USA  
Phone: 800-638-3326 or 301-663-1600 • Fax: 800-447-3326 or 301-663-1607  
Website: [www.edcoinc.com](http://www.edcoinc.com) • E-mail: [techsupport@edcoinc.com](mailto:techsupport@edcoinc.com)

Printed in USA  
©2025





## SAFETY INFORMATION



### SAFETY MESSAGES

- Safety Instructions are preceded by a graphic alert symbol of DANGER, WARNING, or CAUTION.



Indicates an imminent hazard which, if not avoided, will result in death or serious injury.



Indicates an imminent hazard which, if not avoided, can result in death or serious injury.



Indicates hazards which, if not avoided, could result in serious injury and or damage to the equipment.

### GASOLINE / POWERED EQUIPMENT



- Engine exhaust from this product contains chemicals known to the State of California to cause cancer, birth defects or other reproductive harm.



- Tilting a gasoline powered machine fitted with an EPA approved vented charcoal filter gas cap, beyond 20° can cause fuel leakage. If a leak occurs, do not start or run the engine until the leak is fixed. Eliminate all other ignition sources in the immediate area (no smoking, flares, sparks or flames). Use approved gasoline absorbing material to contain the fuel leakage. Then use clean, non-sparking tools to collect absorbed materials then dispose of these contaminants properly.



- Gasoline is extremely flammable and poisonous. It should only be dispensed in well ventilated areas, and with a cool engine.

- Small gasoline engines produce high concentrations of carbon monoxide (CO) example: a 5 HP 4 cycle engine operation in an enclosed 100,000 cu. ft. area with only one change of air per hour is capable of providing deadly concentrations of CO in less than fifteen minutes. Five changes of air in the same area will produce noxious fumes in less than 30 minutes. Gasoline powered equipment should not be used in enclosed or partially enclosed areas. Symptoms of CO poisoning include, head-ache, nausea, weakness, dizziness, visual problems and loss of consciousness. If symptoms occur - get into fresh air and seek medical attention immediately.
- Never refuel a hot engine or an engine while it is running.
- Engines are shipped from factory without fuel/oil.

### DUST WARNING



- Some dust created by power sanding, sawing, grinding, drilling, and other construction activities contains chemicals known to cause cancer, birth defects, or other reproductive harm. Materials

being removed can be toxic or hazardous. A breathing respirator is required to help protect the operator.

Some examples of these chemicals are:

- Lead from lead-based paints.
  - Crystalline silica from bricks, concrete and other masonry products.
- Your risk of exposure to these chemicals varies depending on how often you do this type of work. To reduce your risk: work in a well ventilated area, use a dust control system, such as an industrial-style vacuum, and wear approved personal safety equipment, such as a dust/particle respirator designed to filter out microscopic particles.
- See more on the importance of dust prevention and silica warnings at: [osha.gov/silica](http://osha.gov/silica)
  - More concrete and silica dust suppression training and educational materials available at [www.edcoinc.com/customer-support](http://www.edcoinc.com/customer-support).
  - Written exposure plans are provided at [www.edcoinc.com/customer-support](http://www.edcoinc.com/customer-support).

### GENERAL INSTRUCTIONS

- Equipment should only be operated by trained personnel in good physical condition and mental health (not fatigued). The operators and maintenance personnel must be physically able to handle the bulk weight and power of this equipment.
- This is a one person tool. Maintain a safe operating distance to other personnel. It is the operator's responsibility to keep other people (workers, pedestrians, bystanders, etc.) away during operation. Block off the work area in all directions with roping, safety netting, etc. Failure to do so may result in others being injured by flying debris or exposing them to harmful dust and noise.
- This equipment is intended for commercial use only.
- For the operator's safety and the safety of others, always keep all guards in place during operation.
- Never let equipment run unattended.



- Personal Protection Equipment and proper safety attire must be worn when operating this machinery. The operator must wear approved safety equipment appropriate for the job such as hard hat and safety shoes when conditions require. Hearing protection MUST be used when operational noise levels of this equipment may exceed 85db. Eye protection MUST be worn at all times.



Keep body parts, loose clothing and accessories away from moving parts. Failure to do so could result in dismemberment or death.

- Do not modify the machine.
- Stop motor/engine when adjusting or servicing this equipment. Maintain a safe operating distance from flammable materials. Sparks from the cutting-action of this machine can ignite flammable materials or vapors.



Always contact your appropriate local agencies to determine exact locations of all buried utilities and subsurface hazards. If the EDCO TR-18 comes in contact with any subsurface hazard, property

damage and/or personal injury will occur.

- Read and follow all safety decals and labels.
- Maintain a safe operating distance to other personnel.
- Be familiar with all aspects of the machine's operation and controls before applying power to the equipment.
- Use the correct accessory for the job being performed and material being removed. Make sure accessories are mounted correctly.
- Never operate this machine while under the influence of drugs or alcohol, while taking medications that impair the senses or reactions, or when excessively tired or under stress.
- Follow the instructions in the operator's manual and exercise caution.
- Comply with all local safety and health regulations as well as EPA and OSHA regulations.

Read/Maintain a copy of the equipment's operator's manual and the engine/motor manufactures operators manual with the machine for reference at all times.

- Be sure all decals on the machine can be clearly read and understood. Replace worn/missing decals immediately.



# Operator's Instruction Manual

## MODEL TR-18 18" TRENCHER

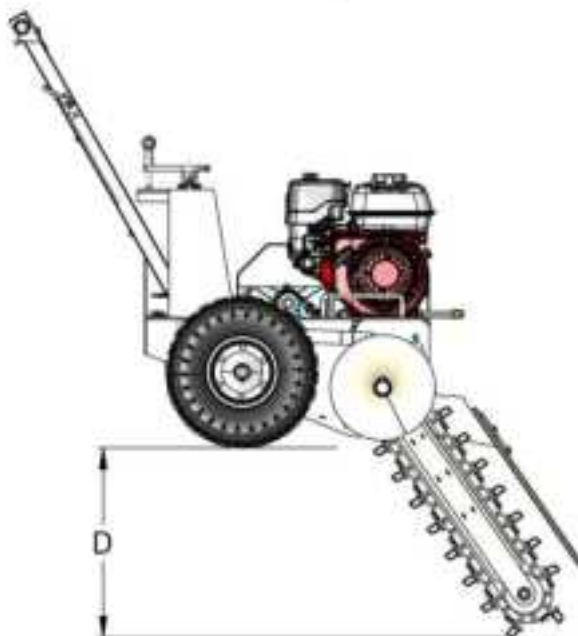
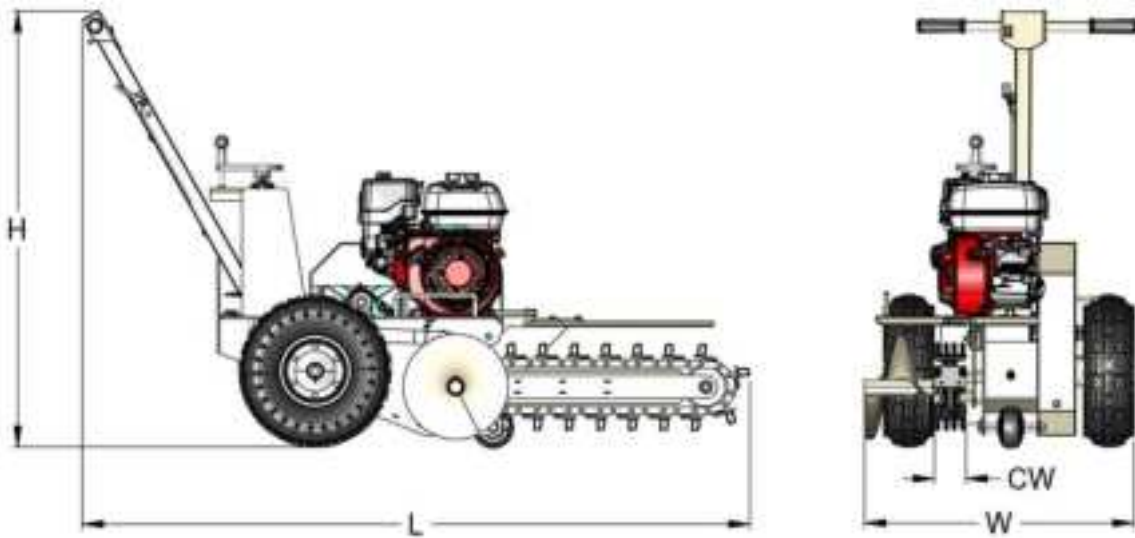
### TABLE OF CONTENTS

<u>Section</u>	<u>Pages</u>
Safety Information .....	2
Specifications, Dimensions and Weight .....	4
California Proposition 65 Warning .....	5
Machine Safety Symbol Label Reference .....	6, 7
Safety Guidelines .....	8
Trencher Introduction .....	9
Operating Controls and Features .....	10
Operating Instructions .....	11, 12, 13, 14
Transporting and Storage .....	15
Maintenance .....	16, 17, 18
Maintenance Schedule .....	19
Limited Equipment Warranty of Sale .....	21
EDCO's Online Customer Support .....	22

## Specifications

EDCO Model: TR-18  
 Engine: Honda GX200  
 Power: 5.8 HP  
 Displacement: 196cc  
 Chain Speed: 392 ft/min, 75RPM  
 Chain Width: 3 inches  
 Maximum Digging Depth: 18 inches  
 Wheel Base: 23.75 inches

## Dimensions and Weight



L	63.5 in.	1611 mm
W	25.5 in.	651 mm
H	41.5 in.	1052 mm
CW	3.0 in.	76 mm
D	18.0 in. Max.	458 mm Max.

WEIGHT 245 LBS 111 KG

# **WARNING: California Proposition 65**

Proposition 65 applies to any company operating in California, selling products in California, or manufacturing products that may be sold in or brought into California. The purpose of Proposition 65 is to inform the public about exposure to these chemicals. EDCO has not shifted manufacturing processes, this is strictly an updated warning procedure required by the state of California. While the exposure from EDCO products may be negligible or well within the “*no significant risk*” range, out of an abundance of caution, EDCO has elected to provide these Proposition 65 warnings.

Depending on machine/part model the following warnings may apply:



**WARNING:** Cancer and Reproductive Harm -  
For more information go to: [www.P65Warnings.ca.gov](http://www.P65Warnings.ca.gov)



**WARNING:** Batteries, battery posts, terminals and related accessories can expose you to chemicals including lead and lead compounds, and other chemicals known to the State of California to cause cancer and birth defects or other reproductive harm. WASH HANDS AFTER HANDLING. For more information go to [www.P65Warnings.ca.gov](http://www.P65Warnings.ca.gov)



**WARNING:** This product can expose you to chemicals including soots, tars, and mineral oils, which are known to the State of California to cause cancer, and carbon monoxide, which is known to the State of California to cause birth defects or other reproductive harm. For more information go to [www.P65Warnings.ca.gov](http://www.P65Warnings.ca.gov)



**WARNING:** This machine used in its application on concrete/cement/brick surfaces can expose you to chemicals including crystalline silica which is known to the State of California to cause cancer. For more information go to [www.P65Warnings.ca.gov](http://www.P65Warnings.ca.gov)

For more information regarding exposure to California’s Proposition 65 listed chemicals from an EDCO machine or part, please contact [techsupport@edcoinc.com](mailto:techsupport@edcoinc.com).

## MACHINE SAFETY SYMBOL LABEL REFERENCE



This symbol means that the guards must remain in place while the engine/motor on the machine is running because death or personal injury may result.  
(Yellow background with black pictogram and black outline)



This symbol means that there are moving parts and if feet/fingers/digits are inserted under any edge of the cutter/grinder/saw cover while the engine/motor on the machine is running that personal injury and loss of foot/fingers/digits may result.  
(Yellow background with black pictogram and black outline)



This symbol means the surface is HOT and that if fingers/digits/hands or any bare or unprotected skin comes in contact with this surface or hot accessory, possible serious burns and personal injury may result.  
(Yellow background with black pictogram and black outline)



This symbol means that potential hazardous voltages are present and the equipment must be properly grounded and extreme caution should be taken. If for any reason maintenance or repair is needed, insure that voltage(s) are disconnected at the machine and the source unless (be cautious) voltage needs to be present to troubleshoot the problem, then only qualified personal should work on "live" systems.  
(Yellow background with black pictogram and black outline)



This symbol means that the machine is heavy if the machine needs to be lifted onto or off of a truck, loading dock etc. that proper technique or heavy duty lifting device should be used, personal injury could result.  
(Yellow background with black pictogram and black outline)



This symbol means that dangerous chemicals, gases, dust particles and/or fumes are present including carbon monoxide. Proper ventilation must be maintained. Do not use gasoline or diesel powered equipment indoors.  
(Yellow background with black pictogram and black outline)



This symbol means that there are sharp components and if feet/fingers/digits come in contact personal injury or death could result.  
(Yellow background with black pictogram and black outline)



This symbol means explosive and hazardous vapors are present. Caution should be exercised to prevent personal injury to face and eyes. Breathing and personal protection should be used when servicing.  
(Yellow background with black pictogram and black outline)



This symbol means flying debris are present. Always wear appropriate face, eye, and clothing protection to prevent personal injury to torso, face and eyes.  
(Yellow background with black pictogram and black outline)



This symbol means entanglement danger is present. Caution should be exercised to keep all bystanders away while digging. Keep hands, arms, feet and clothing away from rotating auger and trencher chain. Serious injury or death can result.  
(Yellow background with black pictogram and black outline)

# MACHINE SAFETY SYMBOL LABEL REFERENCE



This symbol means that the Operator's, owners, instruction and/or manufacturer(s) manuals must be read and understood before operating or attempting to operate this electrical, gasoline, diesel or propane powered equipment, failure to do so can result in personal injury and possible death. (Blue background with white pictogram.)



This symbol means that proper eye protection must be worn/used during the operation of this equipment. There is a potential risk of operator eye damage, injury or loss of sight. This also applies to any personnel standing nearby observing the operation of this equipment. (Blue background with white pictogram.)



This symbol means that proper ear protection should be worn/used during the operation of this equipment. There is a potential risk of operator hearing damage, injury or loss of hearing which will increase based on the length of exposure. This also applies to any personnel standing nearby observing the operation of this equipment. (Blue background with white pictogram.)



This symbol means that proper head protection should be worn/used during the operation of this equipment there is a potential risk of operator head injury from foreign or loose objects the equipment might come in contact with during operation. This also applies to any personnel standing nearby or observing the operation of this equipment. (Blue background with white pictogram.)



This symbol means that proper breathing protection or engineering controls must be worn/used during the operation of this equipment there is a potential risk of operator lung damage. Repeated and/or substantial inhalation of airborne crystalline silica can cause serious or fatal respiratory diseases, including silicosis. In addition, to California and some other authorities have listed respirable crystalline silica as a substance known to cause cancer. When grinding/cutting/drilling such materials, always follow local respiratory precautions. This also applies to any personnel standing nearby or observing the operation of this equipment. (Blue background with white pictogram.)



This symbol denotes the lifting point and means that if lifting of this equipment is necessary use a lifting device that is designed to accommodate or exceed the weight of this machine. Check the Operator's manual for specifications. Using a device that is not designed to accommodate or exceed the weight of this machine could result in damage to the machine and personal injury. Do not lift equipment over people because death or serious injury could result. (Blue background with white pictogram.)



This symbol means do not insert fingers/digits under any edge of the belt cover while the engine/motor on the machine is running because personal injury and loss of fingers/digits may result. (Black pictogram with red "No" symbol outline)



This GHS pictogram identifies that the chemicals contained present serious health hazards. (Black pictogram with red diamond symbol outline)

## Safety Guidelines



**Read and understand all operating instructions  
before operating this equipment.**



**Death or serious injury can result if this machine is used improperly.**



Safety warnings and guidelines do not by themselves eliminate danger. They are not given as substitutes for proper accident prevention procedures and good judgement.



Eye and ear protection must be worn at all times while the trencher is in use. During normal operation, sound pressure levels may exceed 85dBA. Use only ANSI approved safety glasses to help prevent eye injury. Everyday eyeglasses have only impact resistant lenses; they are NOT safety glasses.



Operator must wear appropriate clothing and footwear. Do not wear loose clothing or jewelry that can get tangled in moving parts. Footwear should provide sure footing and protection.



A dust mask is required to help protect the operator from inhaling the airborne material when operating this machine.

- Slip/Trip/Fall is a major cause of serious injury or death. Beware of uneven or slippery work surfaces.
- Do not use the machine while barefoot or wearing open sandals.
- If working near traffic, wear reflective clothing.
- Do not leave trenches open or unmarked.
- Exercise care when working in the vicinity of unprotected holes or excavations.
- DO NOT operate the machine unless all protective guards are in place.
- Replace digging chain if severely worn or damaged in any way before using this tool.
- Keep bystanders at least 50 feet (15m) away from your work area at all times. Stop the engine when another person or pet approaches.
- Keep body parts, foreign objects and clothing clear of rotating auger and digging chain.
- Coming into contact with buried utilities while digging can cause severe injuries or DEATH.
- Contact appropriate utility representatives to determine if/where electrical cables, gas lines, water lines, etc. are buried BEFORE operation.



**Know what's below.  
Call before you dig.**



## Trencher Introduction

It is your responsibility as the operator of this piece of equipment to know what specific requirements, precautions and work hazards exist. You must read and understand all of the information contained in this operators manual.

The EDCO Model TR-18 trencher is a small, operator propelled, chain-type trencher designed for digging a trench 3" wide and up to 18" deep.

The TR-18 trencher has more than enough power to trench through the toughest soils, however, because of its small size, low horse power and trenching capacity, it is limited in what it is capable of doing. The job site, soil conditions, job specifications and operator experience may dictate that a different tool or method be used to do the job.

The digging chain of any trencher has a tendency to pull the trencher in the opposite direction you want to dig. For this reason, be sure that the digging teeth are not in contact with the ground or other objects while starting the engine and that the wheel lock device engages while lowering the digging bar into the ground. Be sure that you have a firm grip on the machine and are ready to control it when the digging bar comes in contact with the ground.

Trenchers of all type have a tendency to "hop" or "buck" under certain conditions. This can be the result of certain soil conditions or buried objects that the trencher cannot cut through or lift to the surface. The trencher must be stopped and the object manually removed, or restart the trench beyond the object.

**NOTE:** It is important that any piece of machinery be kept in the best mechanical condition possible. Failure to properly maintain machinery greatly reduces the productivity of the tool and could create a hazard to the operator or bystanders. **DO NOT** use machinery if it has been modified or improperly maintained.

## Handlebar Assembly

The trencher is shipped with the handlebar detached. The throttle cable and ON/OFF switch should be hooked up to the engine. Attach the handlebar at the base with the hardware shown below and fully tighten.



HARDWARE  
5 REQUIRED EACH:



CAPSCREW 5/16-18 X 1

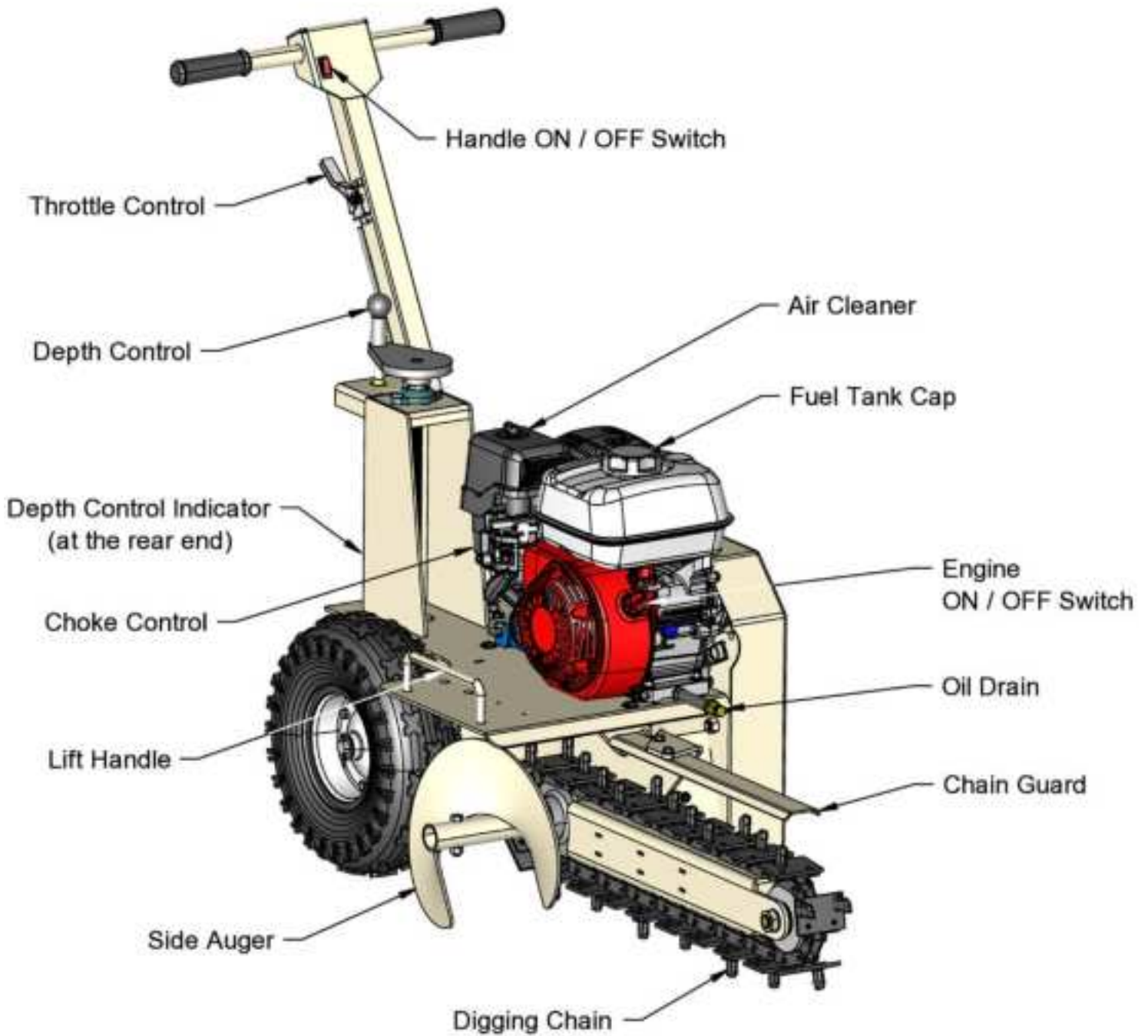


LOCKWASHER 5/16"



FLATWASHER 5/16"

## Operating Controls and Features





# Operating Instructions

Read and understand the Engine Manufacturer's Owner's Manual before operating the Trencher.

## PREPARE THE ENGINE:

### 1. Add Oil to the Engine.

The engine is shipped without oil. Do not start the engine before adding oil.

Check the oil level daily before starting the engine and add oil as needed. Do not overfill.

### 2. Check Air Cleaner.

Make sure the air filter is in good condition and change if dirty.

### 3. Add Gasoline to the Engine.



Use extreme care when adding gasoline to the engine. Gasoline is highly flammable and explosive. You can be burned or seriously injured when handling fuel. Fill the tank outdoors, never indoors. Gasoline vapors can ignite if they collect inside an enclosure. Explosion can result.

## STARTING THE TRENCHER:

1. Be sure the depth control is in the "0" depth position and the digging chain is clear of the ground.
2. Check and make sure the switch on the front of the engine is in the "ON" Position.  
Move the On/Off switch on the handle to the "ON" position.
3. Always stand to the rear of the trencher, away from the side delivery auger and digging chain while starting the engine.
4. Start the engine following the procedures outlined in the engine manual supplied with the trencher.
5. Always start the trencher at the job site and allow it to warm up. While the machine is running, check that all controls are working properly before using.

## STOPPING THE TRENCHER:

In case of an emergency:

Move the switch on the handle to the off position and tilt the trencher upward and out of the trench.

During normal operation:

Move digging chain out of the trench. Move the throttle control lever to the engine "idle" position. Then move the ON/OFF switch to the "OFF" position.

There are two ON/OFF switches on the trencher; one on the handle bar and one on the engine. Refer to the engine manual for the switch location on the engine.

The operator can turn the trencher off at any time by switching either ON/OFF switch to the "OFF" position.

# Operating Instructions

## TRENCHING SAFETY:



Keep bystanders clear. If throttle is set higher than idle when engine is running, the digging chain, side auger and other compents will move.

**Do not** operate this trencher indoors. For outdoor use only.



Hitting a buried object, such as a rock, could cuse a sudden thrust to the operator. Injury could occur if the operator is not prepared to deal with this condition.

Always be sure that the area you are going to trench is clear of potential hazards, such as pipes, rocks, wire, boards or other materials that could possibly entangle itself around the digging chain or cause unstable footing before using the trencher.

Be sure the digging chain is not turning when the engine is at an idle.

Be sure the engine is off or at idle before moving the trencher at the job site.

## GENERAL:

To increase depth of cut:

Lift knob on handwheel and turn "clockwise" to increase the depth of cut.

To decrease depth of cut:

Lift knob on handwheel and turn "counter-clockwise" to decrease the depth of cut.



Note: The actual depths of cut are appoximate.

The gauge on the rear of the trencher shows the depth in 6 inch increments.



Depth Gauge

# Operating Instructions

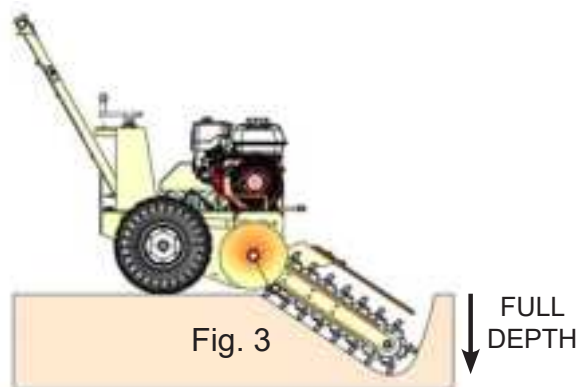
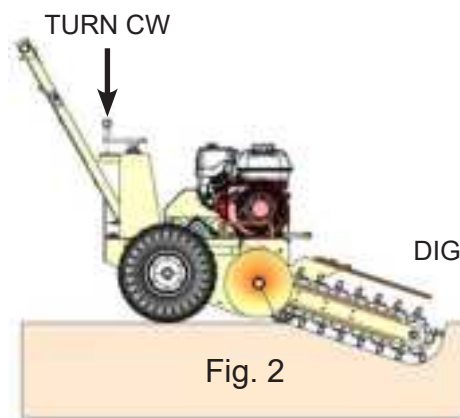
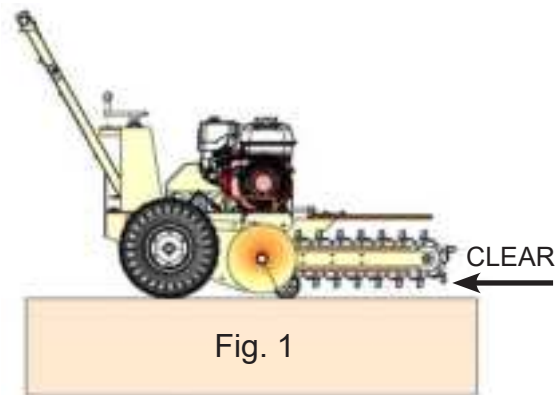
## STEPS TO DIGGING A TRENCH:

Move Trencher to Digging area.

Start engine with digging chain clear of ground ( Fig. 1) and allow engine to warm up at idle speed.

Hold the trencher handlebar firmly with both hands. Increase the throttle of the engine, then turn the depth control clockwise to start digging. Allow the weight of the machine to dig. (Fig. 2)

Continue turning the depth control clockwise to reach the approximate depth desired. (Fig. 3)  
See gauge at the rear of unit.



Continued on next page

# Operating Instructions

## STEPS TO DIGGING A TRENCH (CONTINUED):

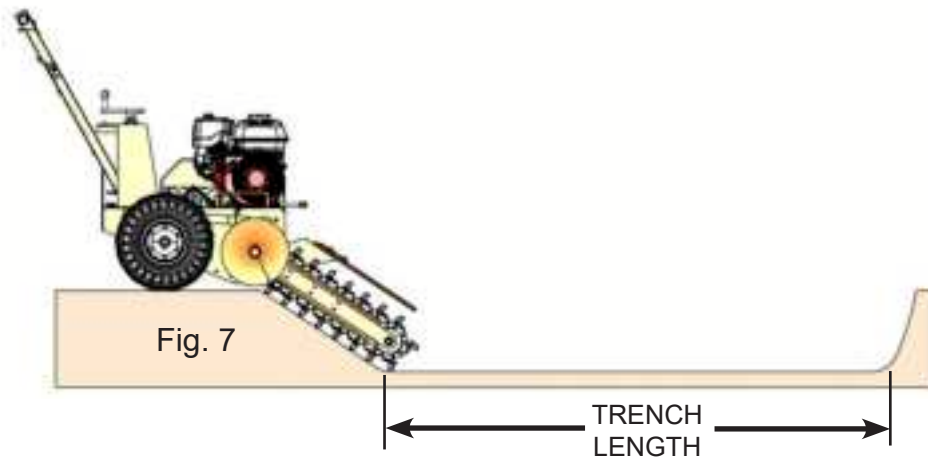
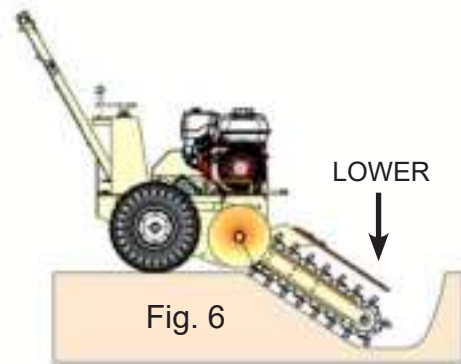
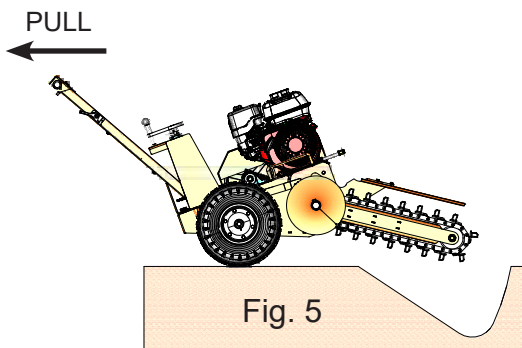
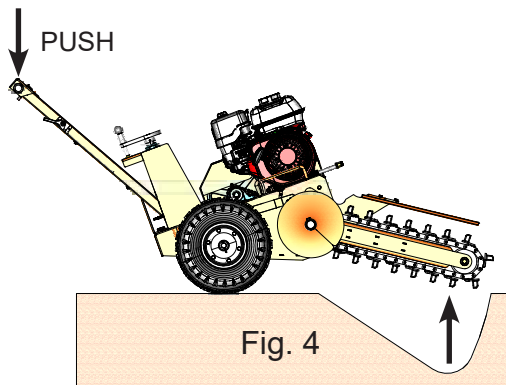
Tip the trencher back out of the ditch by pushing down on handle. (Fig. 4)

Pull the trencher back approximately 6 inches. (Fig. 5)

Slowly lower the chain back into the ground and continue digging until it reaches the desired depth again. (Fig. 6)

Repeat this process as necessary to create the length of trench desired. (Fig. 7)

Note: The trencher works best with a downward digging and sawing motion. The operator should not be dragging the trencher backward while digging.



# Transporting and Storage

## TRANSPORTING:

- Always shut off the engine when transporting machine.
- Shut off the fuel before transporting machine.
- This machine weighs approximately 245 lbs. and should only be lifted using the lifting points.
- Always secure this trencher with tie downs or similar restraints when transporting.

## STORAGE:

- Cool engine before storage.
- Inspect for worn or damaged parts.
- Choose covered storage location.
- Prevent accidental starting.
- Always shut off the fuel valve and engine.
- Store trencher and fuel where fuel vapors cannot reach sources of combustion like, water heaters, electric motors, switches, furnaces, etc.
- The trencher shall be stored in a manner that prevents it from falling, rolling or tipping over.
- Always place the trencher on level ground and use wheel chocks to prevent the trencher from rolling when not in use.

# Maintenance

## SAFETY:



Wear proper PPE (Personal Protective Equipment) when performing maintenance on the trencher.



Periodic maintenance of the trencher is essential.

Disconnect the spark plug wire before performing maintenance. See engine manual.

Maintain the trencher according to the recommended procedure in this manual.

Stop engine before removing fuel cap.

Use only genuine equipment manufacturer (EDCO) or the engine manufacture (Honda) parts when making repairs to the trencher.

Replace digging chain if severely worn. Be sure the engine is not running when replacing.

Add grease to main pivot shaft at front of machine daily. (See figure below)



## DIGGING CHAIN TENSION:

The chain tension should have approximately a droop of about 3/4".

To change the tension on the digging chain, loosen the jam nut using a 15/16" wrench and adjust using a 5/16" hex key wrench. Then retighten the jam nut and check the chain tension.

**DO NOT OVER TIGHTEN THE CHAIN!**



Jam Nut



Adjust Set Screw



# Maintenance

## V-BELT:

After 4 hours of operation, remove the belt cover to check the v-belt tension and drive chain tension. Loose or worn v-belts reduce the power transmission efficiency, cause weak digging and reduces the life of the belt itself.



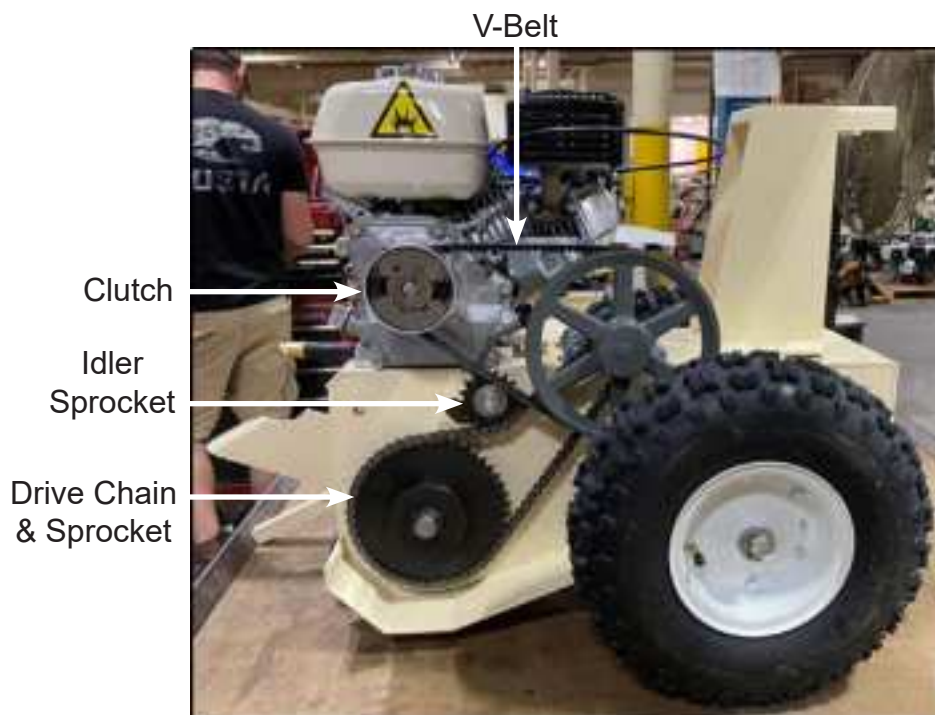
NEVER attempt to check the v-belt with the engine running. Severe injury can occur if your hand gets caught between the belt and the clutch. Always wear gloves.

## REPLACING V-BELT:

Remove the belt cover. Use care to keep fingers from being entangled in the belt pulley. Loosen engine mount bolts and slide engine to reduce belt tension. Work belt off the large pulley and replace with new belt. Re-set the belt tension by sliding the engine and tighten engine mount bolts.



Whenever the digging becomes weak during normal operation, regardless of operational hours, check the v-belt and clutch immediately.



# Maintenance

## ENGINE:

Refer to the Engine Manufacturer's Owner's Manual for maintenance information specific to the engine used.

### Air Cleaner:

A clogged air filter can cause poor engine starting, lack of power and shorten the life of the engine substantially.

To replace the air filter refer to the Engine Manufacturer's Owner's Manual.

### Spark Plug:

Check and clean or replace spark plugs regularly.

A fouled, dirty spark plug may cause hard starting and poor engine performance. Set spark plug gap to recommended clearance. Refer to engine manual.



The muffler and engine cylinder become very hot during operation and remain hot for some time after stopping the engine. You could suffer burns. Allow engine to cool before removing spark plug.



NOTICE: a loose spark plug can become very hot and may cause engine damage.

## Maintenance Schedule



Read and follow instructions  
in the engine owner's manual.

All maintenance to be performed by qualified personnel.	Before Operation	Daily	Every 25 Hours of Operation	Every 40-50 Hours of Operation	As Required
Visual Inspection of Entire Machine	X				
Check Engine Oil	X				
Grease Main shaft		X			
Clean Air Filter Element		X			
Clean Dust & Dirt Off Machine		X			
Check Tire Pressure			X		
Change Engine Oil (Refer to engine manual)				X	
Check Belt, Clutch & Chain Tension		New (4 hrs.) X		X	
Retention Digging Chain & Lubricate					X
Replace air filter element (Refer to engine manual)					X
Replace Spark Plug (Refer to engine manual)					X

THIS PAGE WAS LEFT BLANK INTENTIONALLY

## LIMITED EQUIPMENT WARRANTY OF SALE

Equipment Development Company, Inc. herein referred to as EDCO (Seller) warrants that each new unit manufactured by EDCO to be free from defects in material and workmanship in normal use and service for a period of (1) one year (except for the cutter drum assembly on all model concrete/asphalt planers AND the chisel head assembly on all model ALR's & ALR-BS in which case the warranty period shall be 90 days) from date of shipment to the original retail or equipment rental center owner.

Accessories or equipment furnished and installed on the product by EDCO but manufactured by others, including, but not limited to engines, motors, electrical components, transmissions etc., shall carry the accessory manufacturers own warranty.

EDCO will, at its option, repair or replace, at the EDCO factory or at a point designated by EDCO, any part which shall appear to the satisfaction of EDCO inspection to have been defective in material or workmanship.

EDCO reserves the right to modify, alter and improve any part or parts without incurring any obligation to replace any part or parts previously sold without such modified, altered or improved part or parts.

This warranty is in lieu of and excludes all other warranties, expressed, implied, statutory, or otherwise created under applicable law including, but not limited to the warranty of merchantability and the warranty of fitness for a particular purpose in no event shall seller or the manufacturer of the product be liable for special, incidental, or consequential damages, including loss of profits, whether or not caused by or resulting from the negligence of seller and/or the manufacturer of the product unless specifically provided herein. In addition, this warranty shall not apply to any products or portions thereof which have been subjected to abuse, misuse, improper installation, maintenance, or operation, electrical failure or abnormal conditions and to products which have been tampered with, altered, modified, repaired, reworked by anyone not approved by seller or used in any manner inconsistent with the provisions of the above or any instructions or specifications provided with or for the product.

### TERMS AND CONDITIONS

(NOT APPLICABLE TO SALES THROUGH AUTHORIZED DISTRIBUTION)

#### FORCE MAJEURE

Seller's obligation hereunder are subject to, and Seller shall not be held responsible for, any delay or failure to make delivery of all or any part of the Product due to labor difficulties, fires, casualties, accidents, acts of the elements, acts of God, transportation difficulties, delays by a common carrier, inability to obtain Product, materials or components or qualified labor sufficient to timely perform part of or all of the obligations contained in these terms and conditions, governmental regulations or actions, strikes, damage to or destruction in whole or part of manufacturing plant, riots, terrorist attacks or incidents, civil commotions, warlike conditions, flood, tidal waves, typhoon, hurricane, earthquake, lightning, explosion or any other causes, contingencies or circumstances within or without the United States not subject to the Seller's control which prevent or hinder the manufacture or delivery of the Products or make the fulfillment of these terms and conditions impracticable. In the event of the occurrence of any of the foregoing, at the option of Seller, Seller shall be excused from the performance under these Terms and Conditions, or the performance of the Seller shall be correspondingly extended.

This document sets forth the terms and conditions pursuant to which the purchaser ("Purchaser") will purchase and Equipment Development Co. Inc. ("Seller") will sell the products, accessories, attachments (collectively the Products) ordered by the Purchaser. These terms and conditions shall govern and apply to the sale of Seller's Products to Purchaser, regardless of any terms and conditions appearing on any purchase order or other forms submitted by Purchaser to Seller, or the inconsistency of any terms therein and herein.

#### 1. PRICE

All prices set forth on any purchase order or other document are F.O.B. Seller's facility or distribution point, as may be determined by Seller (F.O.B. Point). All prices are exclusive of any and all taxes, including, but not limited to, excise, sales, use, property or transportation taxes related to the sale or use of the Products, now or hereafter imposed, together with all penalties and expenses. Purchaser shall be responsible for collecting and/or paying any and all such taxes, whether or not they are stated in any invoice for the Products. Unless otherwise specified herein, all prices are exclusive of inland transportation, freight, insurance and other costs and expenses relating to the shipment of the Products from the F.O.B. point to Purchaser's facility. Any prepayment by Seller of freight insurance and other costs shall be for the account of Purchaser and shall be repaid to Seller.

#### 2. PAYMENT TERMS

Payment terms are as follows. 2% 10 days (to approved and qualified accounts). Net 30 days. This is a cash discount for invoices paid within 10 days after the invoice date, regardless of date of receipt of shipment. This is not a trade discount and will not be granted to accounts that do not adhere to stated terms.

\*All past due accounts are subject to a late payment fee of 1.5% per month or a maximum allowed by law if different, along with the expenses incidental to collection including reasonable attorney's fees and costs.

\*Seller reserves the right to hold shipments against past due accounts.

\*Seller reserves the right to alter payment terms.

#### 3. FREIGHT TERMS

All shipments will be made F.O.B. shipping point as designated in these Terms and Conditions, and title shall pass at the F.O.B. point. Delivery to the initial common carrier shall constitute delivery to the Purchaser. Any claims for loss or damage during shipment are to be filed with carrier by the Purchaser. Seller will not assume responsibility for the performance of the carrier.

Back orders will be shipped in the most practical fashion with charges consistent with our freight policy established with the original order. UPS, FED EX, MAIL or shipments by other couriers are subject to the same terms and conditions as outlined in paragraph #3 "Freight Terms".

#### 4. DELIVERY, DAMAGES, SHORTAGES

Seller shall use reasonable efforts to attempt to cause the Products to be delivered as provided for in these Terms & Conditions. Delivery to the initial common carrier shall constitute the delivery to the Purchaser. Seller's responsibility, in so far as transportation risks are concerned ceases upon the delivery of the Products in good condition to such carrier at the F.O.B. point and all the Products shall be shipped at the Purchaser's risk. Seller shall not be responsible or liable for any loss of income and/or profits, or incidental, special, consequential damages resulting from Seller's delayed performance in shipment and delivery.

#### 5. RETURN OF DEFECTIVE PRODUCTS

Defective or failed material shall be held at the Purchaser's premises until authorization has been granted by Seller to return or dispose of Products. Products that are to be returned for final inspection must be returned Freight Prepaid in the most economical way. Credit will be issued for material found to be defective upon Seller's inspection based on prices at time of purchase.

#### 6. PRODUCTS ORDERED IN ERROR

Products may be returned, provided that claim is made and Seller is notified within 7 days of receipt of Products, and the Products are in original buyer's possession not more than 30 days prior to return, subject to Seller's approval. If Products are accepted for return, they must be Freight Prepaid and buyer will be charged a minimum of 15% restocking charge, plus a charge back for outbound freight charges if the original order was shipped prepaid. Returns are not accepted for any Products that are specifically manufactured to meet the buyer's requirement of either specifications or quantity.

#### AGREEMENTS

These Terms and Conditions constitute the entire agreement between Seller and Purchaser as it relates to terms and conditions of sale, and supersedes any and all prior oral or written agreements, correspondence, quotations or understandings heretofore in force between the parties relating to the subject matter hereof. There are no agreements between Seller and Purchaser with respect to the Product herein except those specifically set forth in and made part of these terms and conditions. Any additional terms, conditions and/or prices are rejected by Seller.

These terms and conditions may be modified, cancelled or rescinded only by a written agreement of both parties executed by their duly authorized agents.

### USE ONLY GENUINE EDCO PARTS & ACCESSORIES

**For your own safety, the safety of others and the life of your machine.**

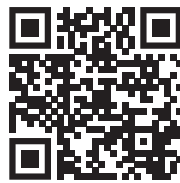
#### SUBMIT ALL WARRANTY CLAIMS AT:

[www.edcoinc.com/customer-support](http://www.edcoinc.com/customer-support)



## BEFORE USING THIS PRODUCT

Have You Used EDCO's Online Customer Support??



Scan This QRC or Visit  
[www.edcoinc.com/customer-support](http://www.edcoinc.com/customer-support)



**READ:** **EDCO Owner's Manuals and Parts Listings** share basic information and parts of each product. Download and print them whenever needed.



**WATCH:** **EDCO Product Training Videos** show how to use products, install tooling, and perform basic maintenance.



*Example Only*

**FIND:** Somewhere on this product is an **EDCO QRC Training Decal**. Scanning this code provides owner's information, videos, and other training content anywhere/anytime on your mobile device.



**JOIN:** **EDCOed.com** is a free, 24-hour training space. Each certification track focuses on a specific EDCO product group. The information in these tracks help businesses be successful with those products.

EDCO is always updating online training / information so you always have the most recent content.

Also see Operator's Safety & Limited Warranty Manual

Equipment Development Co., Inc. • 800.638.3326 • [techsupport@edcoinc.com](mailto:techsupport@edcoinc.com)