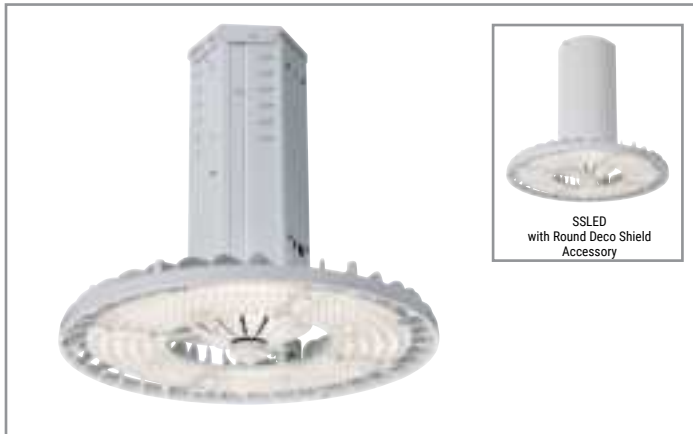


Project		Catalog #		Type	
Prepared by		Notes		Date	



Metalux

SS LED

LED Round High Bay

Typical Applications

Industrial • Commercial • Retail • Manufacturing • Warehouse • Gymnasium
Multi-purpose • High Bay / Low Bay Applications

Interactive Menu

- Order Information [page 2](#)
- Photometric Data [page 3](#)
- Control Solutions [page 6](#)
- Product Warranty

Product Certification



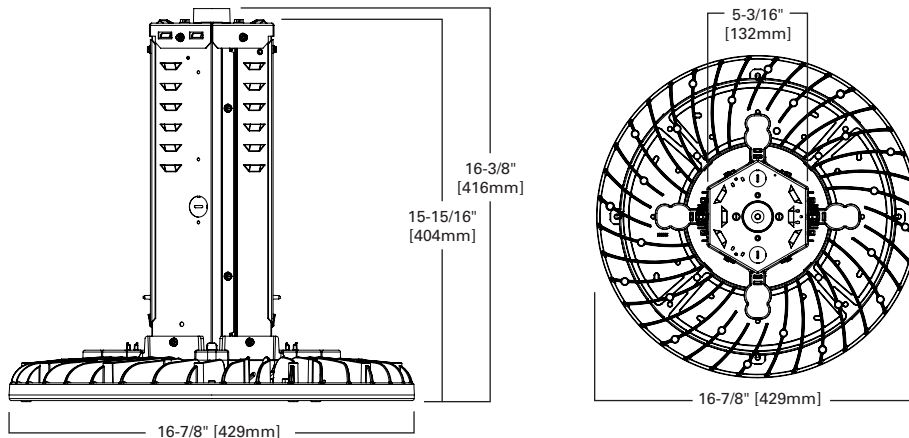
Product Features



Top Product Features

- Compact, lightweight design for ease of installation
- Available in 6 lumen packages up to 30,000 lumens
- High-Performance efficacy up to 152 lm/W
- Occupancy and daylight sensor for added savings
- Lumen Maintenance – L88 at 60,000 hours
- Industry leading optics in narrow, medium, and wide distribution
- 0-10V Dimming driver standard
- Impact protection rating IK10 Lens and IK10 Housing
- Options to meet Buy American and other domestic preference requirements

Dimensional and Mounting Details



[additional product diagrams](#)

Order Information

SAMPLE ORDER NUMBER: **SSLED-LD5-24-M-UNV-L840-CD2-U**

Domestic Preferences	Series	LED Type	LED Lumen Output	Ambient Rating	Distribution	Voltage	CCT	Emergency Options
[Blank] =Standard BAA =Buy American Act TAA =Trade Agreements Act	SSLED =LED High Bay	LD5 =LED 5.0	9 =9,000 Lumens 12 =12,000 Lumens 15 =15,000 Lumens 18 =18,000 Lumens 24 =24,000 Lumens 30 =30,000 Lumens	[Blank] =Standard Ambient HT =High Ambient (18, 24 only)	N =Narrow M =Medium W =Wide	UNV =Universal Voltage 120-277 UNC =Universal Voltage 347/480 ⁽⁸⁾	L830 =80 CRI/3000K L835 =80 CRI/3500K L840 =80 CRI/4000K L850 =80 CRI/5000K L930 =90 CRI/3000K L935 =90 CRI/3500K L940 =90 CRI/4000K L950 =90 CRI/5000K	EL20WREM =Emergency Installed, Remote, 20 Watts ^{(4), (5), (6), (7)}
Notes (1) Only product configurations with these designated prefixes are built to be compliant with the Buy American Act of 1933 (BAA) or Trade Agreements Act of 1979 (TAA), respectively. Please refer to DOMESTIC PREFERENCES website for more information. Components shipped separately may be separately analyzed under domestic preference requirements.	Notes (2) DesignLights Consortium® Qualified and classified for both DLC Standard and DLC Premium, refer to www.designlights.org for details.					Notes (3) No EL with UNC drivers.		Notes (4) Battery pack must be remote mounted 1 ft. off-center from fixture to building structure or an electrical enclosure. (5) No EL with TCB. (6) No EL with UNC drivers. (7) EM option rated for 0°C to 40°C ambient. Refer to ambient ratings chart for specific ambient limits per lumen package and options.

Driver Type	Number of Drivers	Color	Mounting Type	Wiring	Integrated Sensor	Packaging
CD =0-10V Dimming Driver 5LTD =Fifth Light DALI ⁽⁸⁾	1 =1 Driver (9, 12, 15, 18) 2 =2 Driver (18HT, 24, 24HT, 30)	[Blank] =White GRY =Gray BLK =Black	[Blank] =3/4" Threaded Hub SHK =Fixture Hook ⁽¹¹⁾ TCB =Top Connector Box ^{(10), (12)} TCB/SHK =Top Connector Box with Die-cast Aluminum Fixture Hook TCB/FL-1 =Top Connector Box with Fixture Loop MP =Modular Plug (1 Circuit) ⁽¹³⁾ MP/SHK =Modular Plug with Fixture Hook (supplied) MP/FL-1 =Modular Plug with Fixture Loop (supplied)	C3 (1) =1 Circuit, 3' Cord with no Plug C3 (2) =2 Circuits, 3' Cord with no Plug C6 (1) =1 Circuit, 6' Cord with no Plug C6 (2) =2 Circuits, 6' Cord with no Plug C10 (1) =1 Circuit, 10' Cord with no Plug C10 (2) =2 Circuits, 10' Cord with no Plug PC3/120 =1 (NEMA L5-15P) 3' Cord with NEMA Plug ⁽¹⁴⁾ PC3/277 =1 (NEMA L7-15P) 3' Cord with NEMA Plug ⁽¹⁴⁾ PC3/347 =1 (NEMA L24-20P) 3' Cord with NEMA Plug ⁽¹⁴⁾ PC3/480 =1 (NEMA L8-20P) 3' Cord with NEMA Plug ⁽¹⁴⁾ PC6/120 =1 (NEMA L5-15P) 6' Cord with NEMA Plug ⁽¹⁴⁾ PC6/277 =1 (NEMA L7-15P) 6' Cord with NEMA Plug ⁽¹⁴⁾ PC6/347 =1 (NEMA L24-20P) 6' Cord with NEMA Plug ⁽¹⁴⁾ PC6/480 =1 (NEMA L8-20P) 6' Cord with NEMA Plug ⁽¹⁴⁾	LWR =Enlighted Wireless Sensor system ZW-SWPD3 =Integrated Wavelinx Wireless Sensor, 1200 sq. ft. Coverage WLS4 =WaveLinX LITE, Dimming Motion and Daylight, Bluetooth Programmable, 15' - 40' Mounting WPS4 =WaveLinX PRO, Dimming Motion and Daylight, WAC Programmable, 15' - 40' Mounting	U =Unit Pack
Notes (8) Refer to ambient ratings chart for specific ambient limits per lumen package and options.			Notes (9) TCB and MP cannot be ordered at the same time. (10) No EL with TCB. (11) SHK or FL-1 must be ordered factory installed for PC option. (12) Rigid mount not for use in gymnasiums. (13) MP option to be paired with MPC and MC power cord accessory.	Notes (14) SHK or FL-1 must be ordered factory installed for PC option.	Notes (15) Reflectors not compatible with sensor options.	

Accessories

Accessories (order separately) ⁽²²⁾
LOOP-10 =Ten Foot Loop Hanger, #2 Cable ⁽¹⁸⁾ LOOP-30 =Thirty Foot Loop Hanger, #2 Cable ⁽¹⁸⁾ SSLED-SA23-U =Aluminum Shroud ⁽¹⁹⁾ SSLED-WG17-U =Wireguard WG22 =Wireguard for use with SA23, CLR22, and FRR22 SSLED-CLR22-U =Clear Reflector ^{(16), (19), (20)} SSLED-FRR22-U =Frosted Reflector ^{(16), (19), (20)} SSLED-CLDL22-U =Clear Drop Lens ^{(16), (19), (20)} SSLED-CLCDL22-U =Clear Conical Drop Lens ^{(16), (19), (20)} SSLED-FRDL22-U =Frosted Drop Lens ^{(16), (19), (20)} SSLED-FRCDL22-U =Frosted Conical Drop Lens ^{(16), (19), (20)} SHK =Fixture Hooks FL-1 =Fixture Loop MPC3 =3' Modular Power Cord & Plug (Specify Voltage) MPC6 =6' Modular Power Cord & Plug (Specify Voltage) MC3 =3' Modular Power Cord MC6 =6' Modular Power Cord SSLED-DECO-U =Round Deco Kit ⁽¹⁷⁾ SSLED-UPL-U =Uplight Kit ⁽²¹⁾ SWPD3 =WPS4 WaveLinX Sensor (for field installation into WaveLinX enabled fixture)
Notes (16) Refer to ambient ratings chart for specific ambient limits per lumen package and options. (17) Deco shield can be used up to 24,000 lumens (40°C temp.) (18) The accessory Loop Hanger shall be utilized only as a secondary safety and not the primary means of mounting. (19) Reflectors not compatible with sensor options. (20) All lenses must be combined with and attach to a reflector. Lenses do not attach directly to the fixture. (21) Uplight kit not compatible with SA23 Shroud, WG17 or WG22 wireguards. (22) Accessories sold separately will be separately analyzed under domestic preference requirements. Consult factory for further information.

Product Specifications

Construction

- Rugged and durable die-cast aluminum lower housing protects LED components for optimal performance
- Heavy gauge CRS upper driver housing provides durability and thermal control
- Suspension mounting with various mounting options
- Impact protection rating IK10 Lens and IK10 Housing

Electrical

- Long-Life LED system coupled with electrical driver for optimal performance
- LED's available in 3500K, 4000K and 5000K with a CRI \geq 80
- Electronic drivers are available for 120-277V, 347V and 480V applications
- 0-10V dimming control (standard)
- Optional Digital Addressable Lighting Interface (DALI) drivers for use with Fifth Light controls
- Operating temperature of -40°C to 55°C (with 0-10V driver). Refer to chart
- EM option rated for 0°C to 40°C ambient

Optics

- Proprietary discrete, low-brightness LED module assembly
- Precision designed, high-impact polycarbonate optics deliver even illumination
- Offered in Narrow, medium and wide distributions
- Performance options include a low-profile optical shroud

Controls

- Integrated WaveLinX sensor options provide wireless individual fixture control and enable code compliance, increased energy savings, grouping of fixtures, and connection to WaveLinX control systems
- WaveLinX industrial sensors offer installation heights up to 40 feet (45ft major motion) and have coverage patterns up to 5000 square feet (see sensor specifications - field of view)
- Integrated Wavelinx Wireless Sensor option provides 1200 sq. ft. coverage

Finish

- Standard white polyester powder coat finish painted after fabrication provides increased durability and rust inhibition

Compliance

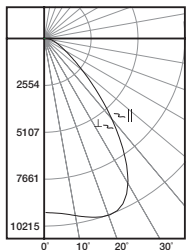
- cULus listed for damp locations
- IP65 rated optics
- RoHS compliant
- LED modules comply with IESNA LM-79 and LM-80 standards
- DesignLights Consortium® Qualified and classified for both DLC Standard and DLC Premium (refer to www.designlights.org for details)

Warranty

- Five year warranty standard.

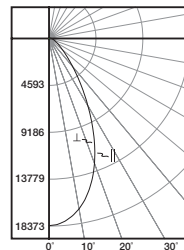
Photometric Data

[View IES files](#)



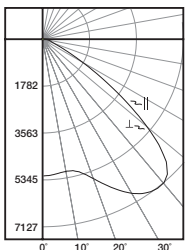
SSLED-LD5-18-M-UNV-L840-CD1-U

Electric Driver
 Linear LED 4000K
 Spacing criterion: (||) 1.3 x mounting height,
 (⊥) 1.3 x mounting height
 Lumens: 18,341
 Input Watts: 133.8W
 Efficacy: 137.1 lm/W
 Test Report: SSLED-LD5-18-M-UNV-L840-CD1-U.IES



SSLED-LD-18-N-UNV-L840-CD1-U

Electronic Driver
 Linear LED 3500K
 Spacing criterion: (||) 0.83 x mounting height,
 (⊥) 0.83 x mounting height
 Lumens: 18,026
 Input Watts: 133.8W
 Efficacy: 134.7 lm/W
 Test Report: SSLED-LD5-18-N-UNV-L840-CD1-U.IES



SSLED-LD5-18-W-UNV-L840-CD1-U

Electric Driver
 Linear LED 4000K
 Spacing criterion: (||) 1.3 x mounting height,
 (⊥) 1.3 x mounting height
 Lumens: 18,341
 Input Watts: 133.8W
 Efficacy: 137.1 lm/W
 Test Report: SSLED-LD5-18-W-UNV-L840-CD1-U.IES

Energy and Performance Data

Catalog Number	Description	Performance		
		Delivered Lumens	Watts	Efficacy (lm/W)
Narrow				
SSLED-LD5-9-N-UNV-L850-CD1-U	Steeler LED 9,000 Lumen, Narrow Dist, 5000K, 0-10V	9,576	64	149
SSLED-LD5-12-N-UNV-L850-CD1-U	Steeler LED 12,000 Lumen, Narrow Dist, 5000K, 0-10V	12,769	85	150
SSLED-LD5-15-N-UNV-L850-CD1-U	Steeler LED 15,000 Lumen, Narrow Dist, 5000K, 0-10V	15,829	111	143
SSLED-LD5-18-N-UNV-L850-CD1-U	Steeler LED 18,000 Lumen, Narrow Dist, 5000K, 0-10V	18,596	134	139
SSLED-LD5-24-N-UNV-L850-CD2-U	Steeler LED 24,000 Lumen, Narrow Dist, 5000K, 0-10V	24,918	191	131
SSLED-LD5-30-N-UNV-L850-CD2-U	Steeler LED 30,000 Lumen, Narrow Dist, 5000K, 0-10V	31,531	266	118
Medium				
SSLED-LD5-9-M-UNV-L850-CD1-U	Steeler LED 9,000 Lumen, Medium Dist, 5000K, 0-10V	9,743	64	152
SSLED-LD5-12-M-UNV-L850-CD1-U	Steeler LED 12,000 Lumen, Medium Dist, 5000K, 0-10V	12,993	85	152
SSLED-LD5-15-M-UNV-L850-CD1-U	Steeler LED 15,000 Lumen, Medium Dist, 5000K, 0-10V	16,106	111	145
SSLED-LD5-18-M-UNV-L850-CD1-U	Steeler LED 18,000 Lumen, Medium Dist, 5000K, 0-10V	18,921	134	141
SSLED-LD5-24-M-UNV-L850-CD2-U	Steeler LED 24,000 Lumen, Medium Dist, 5000K, 0-10V	25,353	191	133
SSLED-LD5-30-M-UNV-L850-CD2-U	Steeler LED 30,000 Lumen, Medium Dist, 5000K, 0-10V	32,082	266	120
Wide				
SSLED-LD5-9-W-UNV-L850-CD1-U	Steeler LED 9,000 Lumen, Wide Dist, 5000K, 0-10V	9,640	64	150
SSLED-LD5-12-W-UNV-L850-CD1-U	Steeler LED 12,000 Lumen, Wide Dist, 5000K, 0-10V	12,855	85	151
SSLED-LD5-15-W-UNV-L850-CD1-U	Steeler LED 15,000 Lumen, Wide Dist, 5000K, 0-10V	15,935	111	144
SSLED-LD5-18-W-UNV-L850-CD1-U	Steeler LED 18,000 Lumen, Wide Dist, 5000K, 0-10V	18,721	134	140
SSLED-LD5-24-W-UNV-L850-CD2-U	Steeler LED 24,000 Lumen, Wide Dist, 5000K, 0-10V	25,085	191	132
SSLED-LD5-30-W-UNV-L850-CD2-U	Steeler LED 30,000 Lumen, Wide Dist, 5000K, 0-10V	31,742	266	119

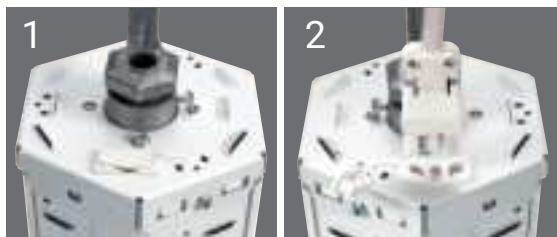
Lumen Maintenance

Lumens	Ambient Temperature	TM-21 Lumen Maintenance (60,000 hours)	Theoretical L70 (hours)
24,000 lumen	25°C	> 88%	> 167,000
30,000 lumen	25°C	> 73%	> 68,500

Lumen Packages and Ambient Temperature

Lumen Package	Ambient	Driver		Reflector		EM
		CD	5LTD	Open	Lensed	
SSLED-LD5-9	55C	55C	40C	55C	55C	40C
SSLED-LD5-12	55C	55C	40C	55C	55C	40C
SSLED-LD5-15	55C	55C	40C	55C	55C	40C
SSLED-LD5-18	40C	40C	40C	40C	40C	40C
SSLED-LD5-18HT	55C	55C	N/A	55C	55C	N/A
SSLED-LD5-24	40C	40C	40C	40C	40C	40C
SSLED-LD5-24HT	50C	50C	N/A	50C	50C	N/A
SSLED-LD5-30	40C	40C	40C	40C	40C	40C

Modular Power Supply Option



1. Modular Power Supply Receptacle supplied mounted into fixture Access Plate.
2. Modular Power Cord & Plugs in 120, 277, 347, & 480V configurations for easy plug & power into existing supply.

Cooper Lighting Solutions' Modular Power Supply option is available for use with the SSLED. The modular power supply allows external fixture access for safe and easy servicing. Access to the individual fixture's power supply allows servicing without turning off all the fixtures disrupting occupants. Cooper Lighting Solutions' Modular Power Supply is a time saver in installation – **simply plug & power.**

Energy Data

Input Watts:
9 (9,000 lumens)=64W
12 (12,000 lumens)=85W
15 (15,000 lumens)=111W
18 (18,000 lumens)=134W
24 (24,000 lumens)=190W
30 (30,000 lumens)=266W

Shipping Data

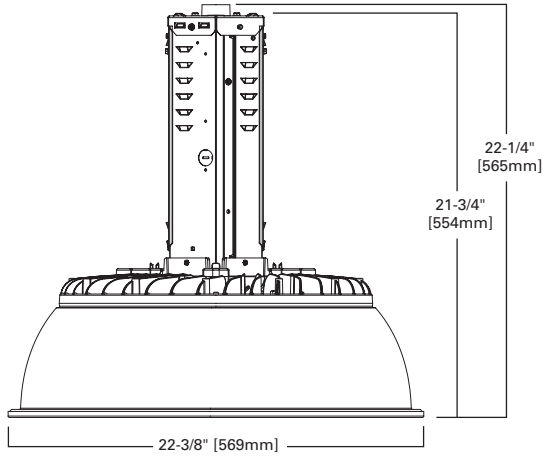
Catalog No.	Wt.
SSLED-LD5-9	19 lbs.
SSLED-LD5-12	19 lbs.
SSLED-LD5-15	19 lbs.
SSLED-LD5-18	19 lbs.
SSLED-LD5-24	19 lbs.
SSLED-LD5-30	19 lbs.

IK Rating

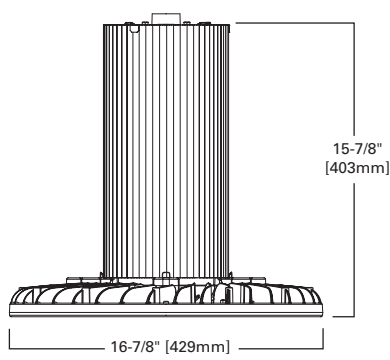
Steeler	IK Rating
Lens	IK10
Housing	IK10

Accessories

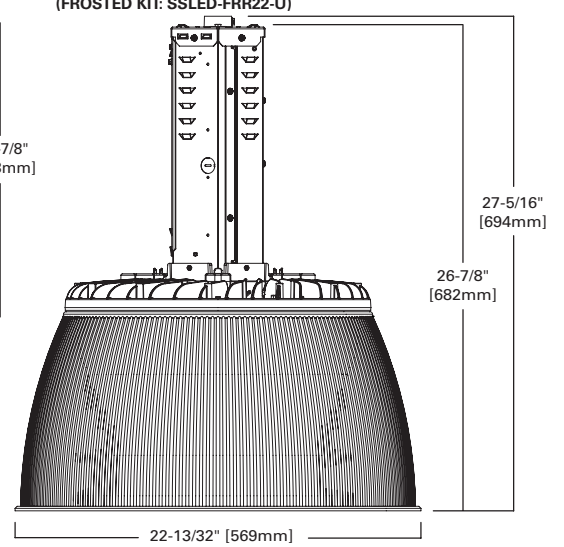
SSLED-W/ SHROUD ACCESSORY KIT
(KIT: SSLED-SA23-U)



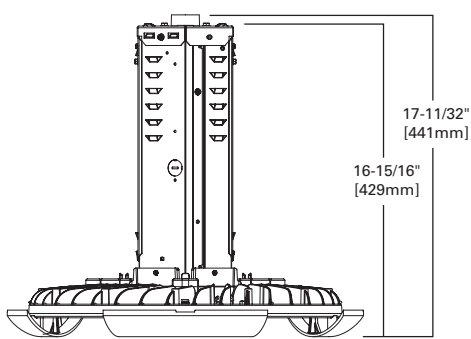
SSLED-W/ROUND DECO SHIELD
(KIT: SSLED-DECO-U)



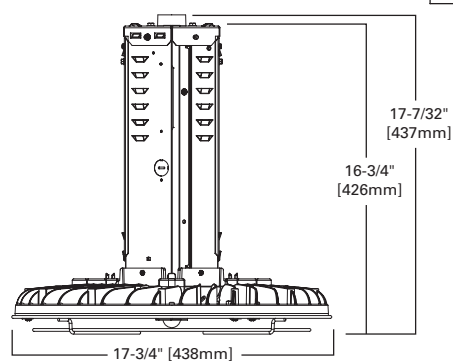
SSLED W/ REFLECTOR ACCESSORY KIT
(CLEAR KIT: SSLED-CLR22-U)
(FROSTED KIT: SSLED-FRR22-U)



SSLED-W/ UPLIGHT ACCESSORY KIT
(KIT: SSLED-UPL-U)



SSLED-W/WIRE GUARD
(KIT: SSLED-WG17-U)



Control Solutions

- WaveLinx LITE wireless
- WaveLinx PRO wireless
- WaveLinx CAT wired
- WaveLinx Wired



The Steeler LED with WaveLinx offers no-hassle lighting control with multiple luminaire level control solutions.



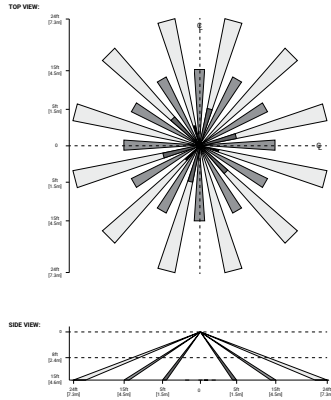
WaveLinx PRO is a wireless lighting control solution, for connected spaces, that significantly reduces a building's energy consumption. From a single floor to an entire campus, WaveLinx PRO connects more than lighting assets; it shares aggregated sensor data with the WaveLinx CORE platform and other building systems, so building owners can improve operations, spaces environment, and tenants' experience. WaveLinx PRO offers a rich portfolio of wireless devices, WaveLinx PRO-enabled luminaires, and an intuitive WaveLinx mobile app for office, education, warehouse, and parking garage applications.



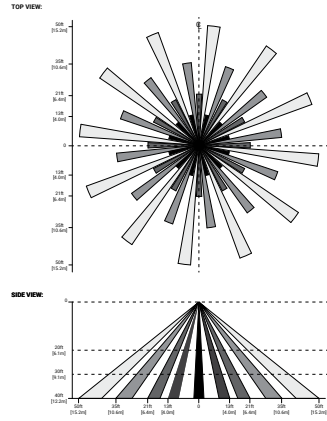
WaveLinx LITE is a cost effective, wireless digital lighting control solution, with out-of-the-box functionality, that saves energy and meets code. It's designed for applications that require occupancy-based, daylighting, or manual light control. Customize installations for office, education, warehouse and parking garages using the secure, simple mobile app.

Integrated Sensor Coverage Pattern

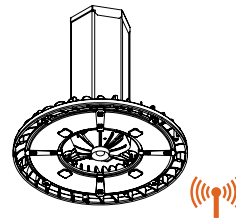
WaveLinx PRO/LITE Sensor – WLS2 and WPS2



WaveLinx PRO/LITE Sensor – WLS4 and WPS4



With Integrated WaveLinx Sensor



Integrated Controls Options

Option	Out of the Box Functionality	Luminaire Level Lighting Control (LLLC)	Automatic Dimming Photocell	Occupancy Sensing	CCT Control
WLS	X	X	X	X	
WPS		X	X	X	

Systems comparison chart

Cooper Lighting Solutions provides many lighting system solutions designed to satisfy code requirements and meet the unique needs of any project.



Luminaire with standalone sensor



Standalone Spaces WaveLinx LITE



Standalone Spaces WaveLinx CAT



Networked Spaces WaveLinx PRO



Enterprise WaveLinx CORE

	Luminaire with standalone sensor	Standalone Spaces WaveLinx LITE	Standalone Spaces WaveLinx CAT	Networked Spaces WaveLinx PRO	Enterprise WaveLinx CORE
Occupancy	Yes	Yes	Yes	Yes	Yes
Daylighting	Yes	Yes	Yes	Yes	Yes
Wallstations	-	Yes	Yes	Yes	Yes
Gateways	-	-	-	1 WAC	300 WACs
Devices (MAX)	-	40 per Area (1120 per space)	40 per Area	200 per WAC2	32,500 per CORE Enterprise
Software	-	WaveLinx LITE Mobile App	WaveLinx CAT Mobile App	WaveLinx Mobile App	CORE
Areas	-	28 per Space	Unlimited	50 per WAC2	up to 3,000
Zones	-	16 per Area	16 per Area	16 per Area	up to 9,000
Scheduling	-	-	-	Local	Global
VividTune™	-	-	-	Yes	Yes
Plug-Load Control	-	Yes	Yes	Yes	Yes
Low-Voltage Power	-	-	Yes	Yes	Yes
Integration	-	-	-	-	BACnet, API
Dashboards	-	-	-	-	Energy, Occupancy
Configuration	-	Installer	Installer	Technician	Technician / IT