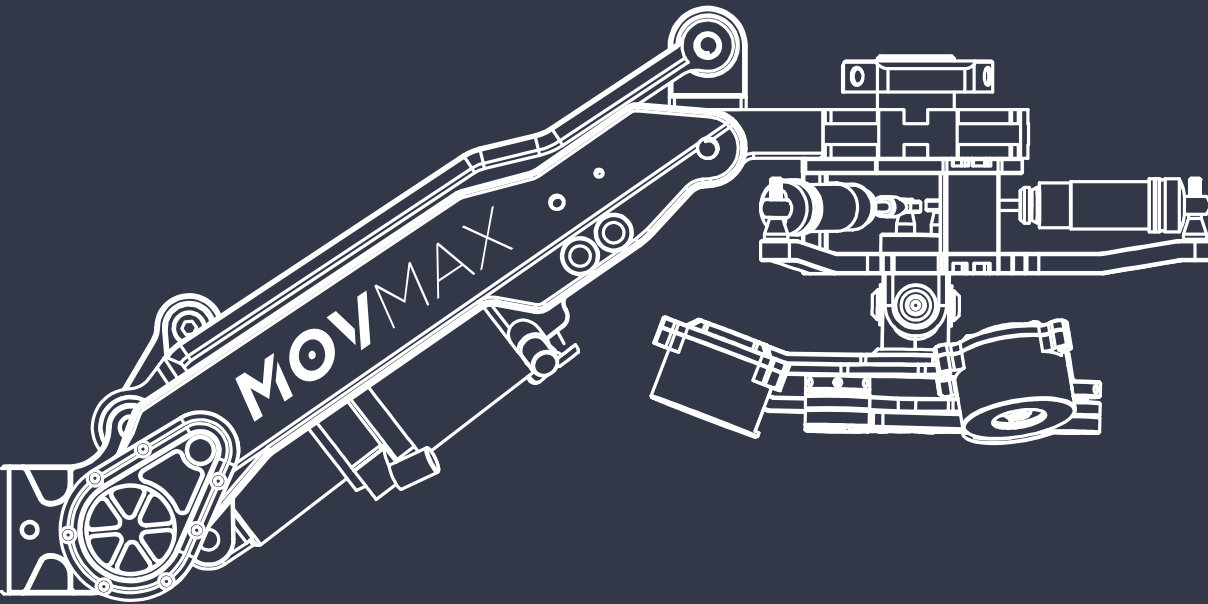


MOVMAX

N₂ ARM MINI

Air Shock Absorption Car Shooting System

User Manual



PACKING LIST

N2 ARM MINI – PRO KIT



Flight Case *1 (Net Weight 8.7kg)



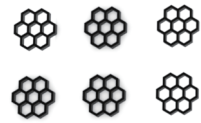
N2 Arm Mini *1



Double Sided Dovetail Plate *5
(M1*1/M2*2/M3*1/M4*1)



Star Vibration Isolator *1
(Included 3–6.6kg Silicone Rubber *6)



Silicone Rubber *6
(0–3kg)



Double Sided Dovetail Sliding Plate *2



Arm Bracket Connector *1



V Mount Sliding Plate *1



CVD Suction Cup *4



Suction Cup Connect Sliding Plate *4



Inflator *1



D-tap Male to 3-Port D-tap Female Splitter Cable *1



Tilta Power Supply Base Plate for RS2 *1



D-tap to 2-pin LEMO Power Cable *1

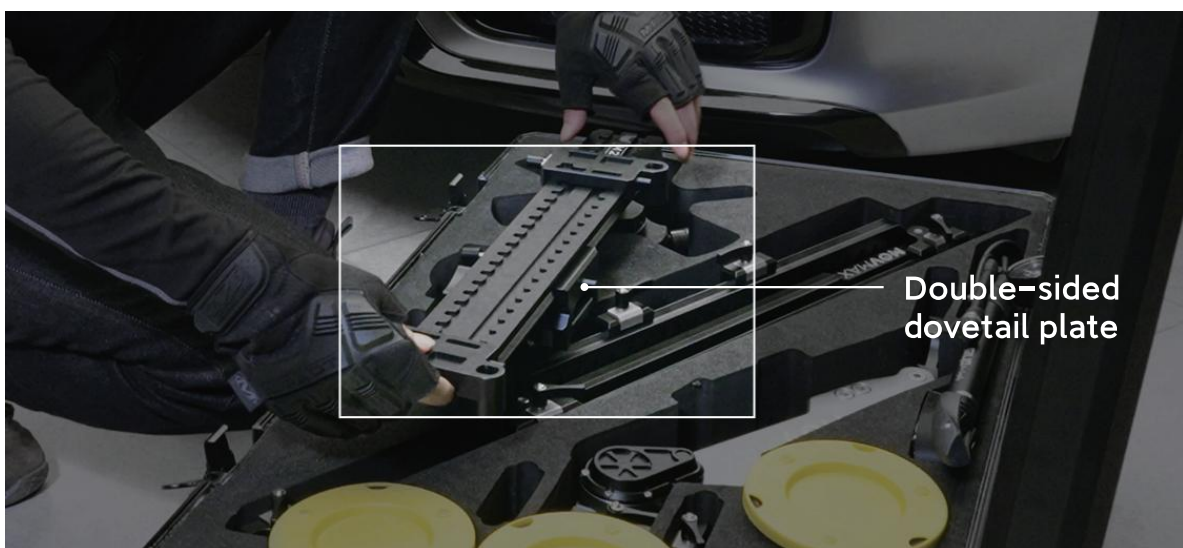
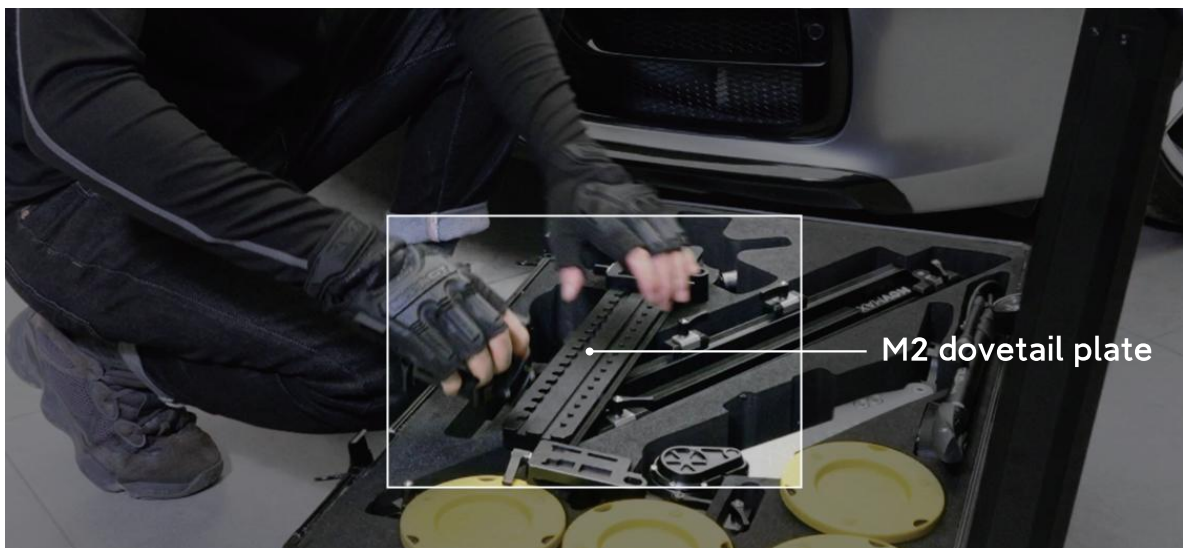


Safety String *1

INSTALLATION STEPS

■ Bracket Installation

- 1 Take out an M2 dovetail plate, install a double-sided dovetail sliding plate in the middle part (Press down on the slot when sliding)



■ Bracket Installation

- 2 Install two CVD suction cups at both ends of dovetail plate, adjust to proper height and fixed



- 3 Insert the dovetail plate into the one on the car, adjust to proper height, press the suction valve to fix the suction cups

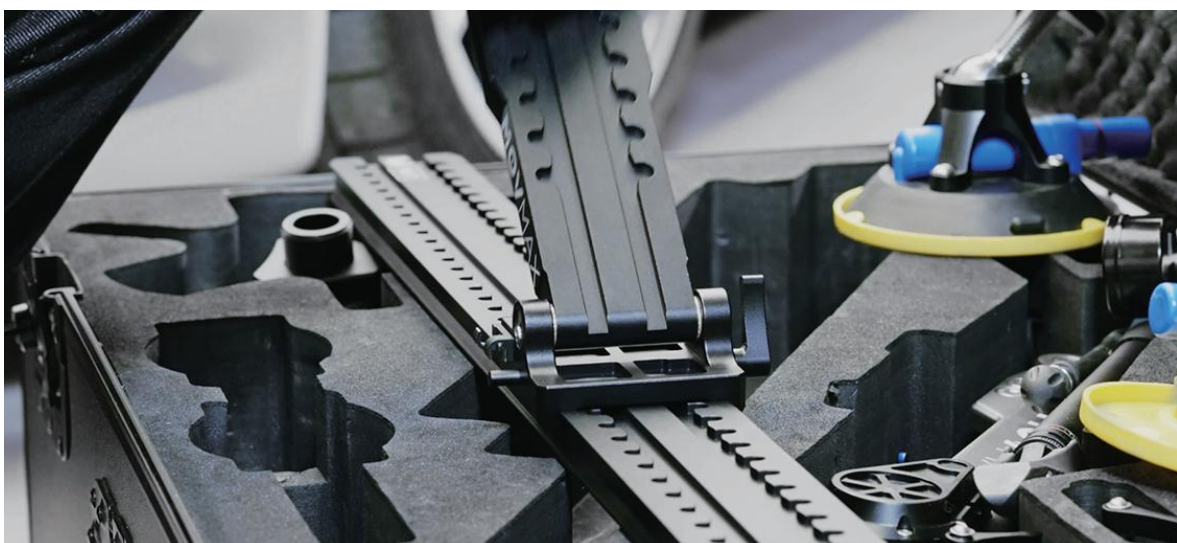


■ Bracket Installation

- 4 The same way to take out another M2 dovetail slide, install the suction cups, then place on the side of the box



- 5 Take out the combination of M1 and M4 dovetail plate



■ Bracket Installation

- ◇ 6 Insert into the assembled M2 dovetail sliding plate



- ◇ 7 Slide to the middle



■ Bracket Installation

- 8 Insert the assembled plate into the double-sided plate that on the car, adjust to proper height, press the suction valve to fix the suction cups



- 9 Take out the M3 dovetail plate and connect the ends with M4 and M1 ends respectively



■ Bracket Installation

- ◇ 10 Adjust to make M3 vertical to the ground



- ◇ 11 Tighten the clamping lever at each connection once got the proper position



■ N2 Arm Mini Installation

- 1 Take out the N2 ARM MINI, slide along the dovetail plate to the proper position, tighten the clamping lever



- 2 Install the arm to the bracket



■ N2 Arm Mini Installation

3 Install the DJI RS2

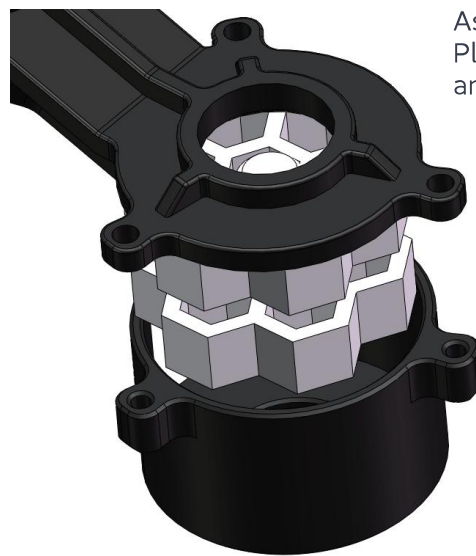


4 Installation completed

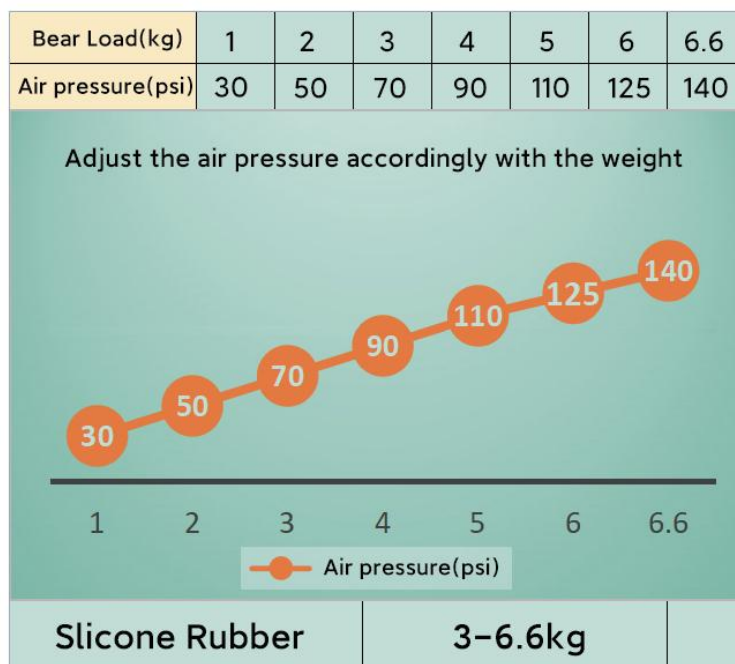


SELECTION / INSTALLATION OF SILICONE RUBBER

- 0~3KG uses thin silicone rubber
- 3~6.6KG uses thick silicone rubber (Max payload 6.6KG)



As shown in the picture, Place a honeycomb block on the top and bottom in can, then lock the screws



*Refer to the air pressure adapter table, the temperature will change slightly according to the actual altitude. The air pressure needs to be increased when the altitude rises, to be increased slightly when the temperature drops

DAMPING ADJUSTMENT METHOD

■ N2 Arm Mini rebound damping speed adjustment knob

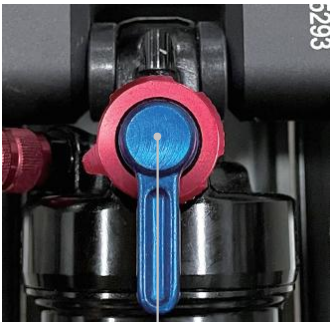
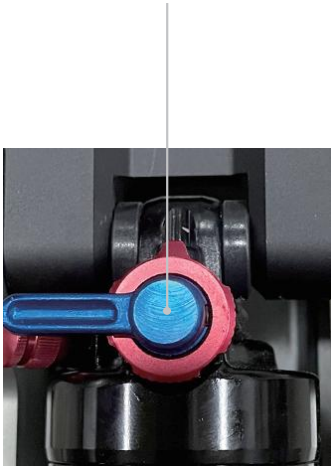
Air damping operating state



Semi-locked state



Fully-locked state



Air damping fast rebound



Air damping slow rebound

USAGE OF SAFETY STRING

Bundling



Step 1

Thread the end of the string from the outside inward along the bottom of the center slot



Step 2

Thread the end of the string through the center slot



Step 3

Pull back and forth to tighten the handle

Unbundling



Step 1

Trigger the handle above the spring buckle



Step 2

Open the handle and turn it into a straight line



Step 3

Pull out the string

VARIOUS CAR MOUNTING POSITIONS

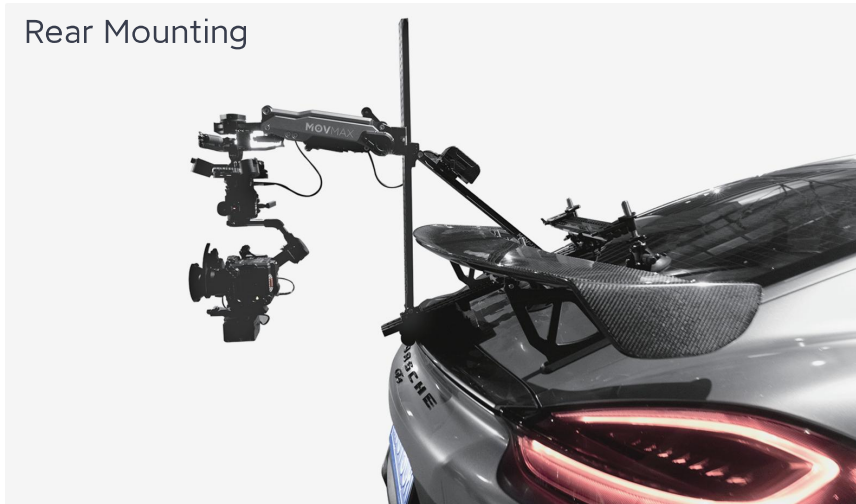
Front Mounting



Side Door Mounting



Rear Mounting



V-MOUNT BATTERY INSTALLATION

- The v-mount battery can be placed on any position of the dovetail plate





@movmaxglobal



@movmaxglobal



+1 818 381 4745



8F, N0.2, Huachen Century Square, Yuhua District
Changsha City, Hunan Province, China. 410007



info@vaxis.cn



Installation Guide